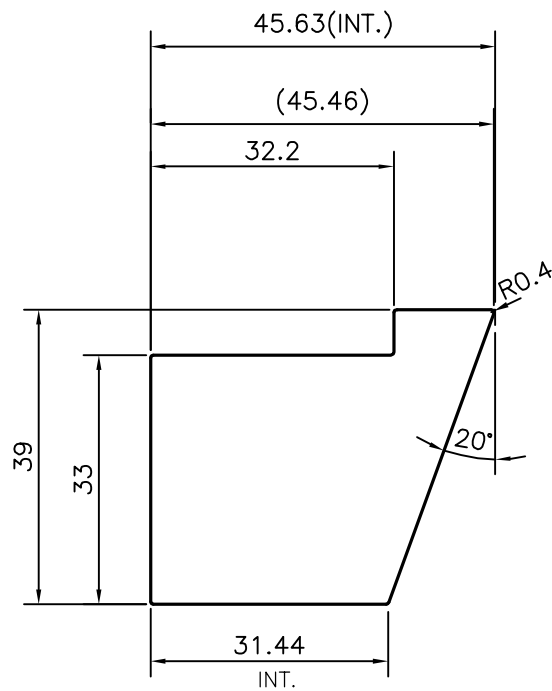


P-14306

S4338

24891



SYMBOL OF QUALITY  
AN ISO 9001 COMPANY

**JINDAL ALUMINIUM LTD.**  
BANGALORE-560073 (INDIA)

	NAME	DATE
DRAWN	J.P.KAUSHIK	03-01-2015
CHECKED		
APPROVED	S.S.GARG	01-01-2015
SCALE		1:1
AREA mm <sup>2</sup>		1309.413
PERIMETER mm.		156.435
WEIGHT kg/m		3.535
DRAWING No.	SECTION No.	
P-14306	-	
S4338	S4338	
24891	24891	

1. ALL DIMENSIONS ARE IN mm.
2. ROUND OFF ALL SHARP CORNERS WITH 0.40 mm.
3. TOLERANCES WILL BE AS PER, IS:3965-1981 UNLESS OTHERWISE SPECIFIED

PARTY'S NAME	SANMIT CARD CLOTHING INDIA PVT. LTD., COIMBATORE
PARTY'S DRAWING No.	SANMIT-KH-Type-B-624
ALLOY & TEMPER	63400 WP
DESCRIPTION	TEXTILE SECTION