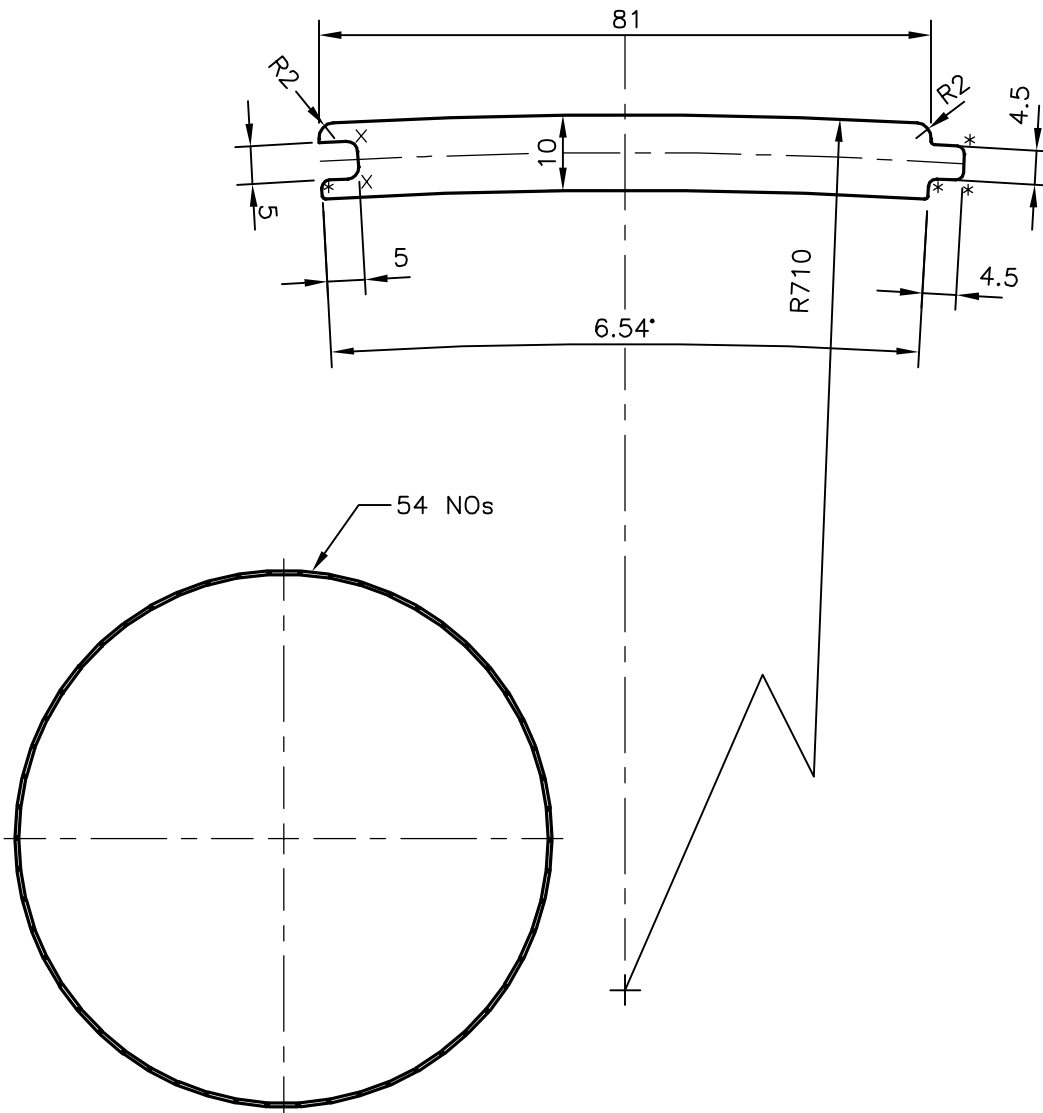


P-14604

S4493

24899



x = 1.5 RADIUS (2 PLACES)  
 \* = 1.0 RADIUS (4 PLACES)



SYMBOL OF QUALITY  
 AN ISO 9001 COMPANY

**JINDAL ALUMINIUM LTD.**  
 BANGALORE-560073 (INDIA)

	NAME	DATE
DRAWN	J.P.KAUSHIK	02-05-2015
CHECKED		
APPROVED	S.S.GARG	17-06-2015
SCALE		1:1
AREA mm <sup>2</sup>		800.984
PERIMETER mm.		195.149
WEIGHT kg/m		2.163
DRAWING No.	SECTION No.	
P-14604	-	
S4493	S4493	
24899	24899	

1. ALL DIMENSIONS ARE IN mm.
2. ROUND OFF ALL SHARP CORNERS WITH 0.40 mm.
3. TOLERANCES WILL BE AS PER IS:3965-1981 UNLESS OTHERWISE SPECIFIED

PARTY'S NAME	BAJAJ TAMBULA PINNED PRODUCTS PVT. LTD., KOLKATA
PARTY'S DRAWING No.	BT/RO/021/14-15
ALLOY & TEMPER	6082 T6
DESCRIPTION	TEXTILE SECTION