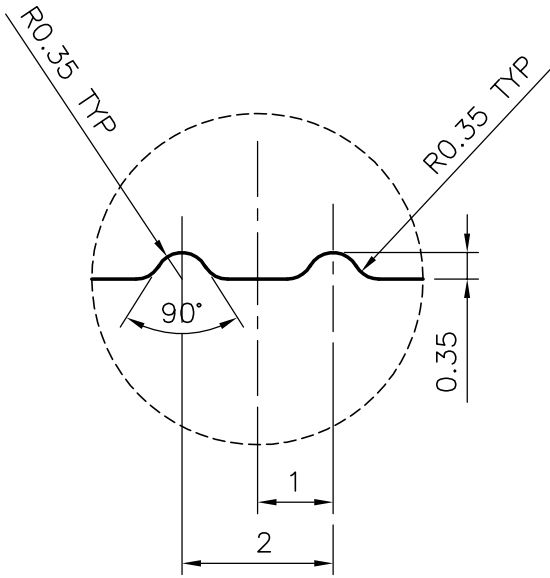
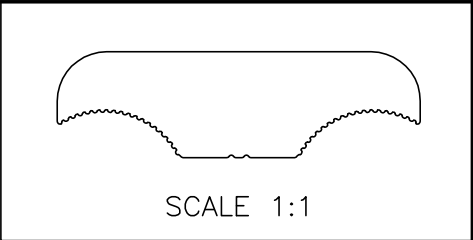
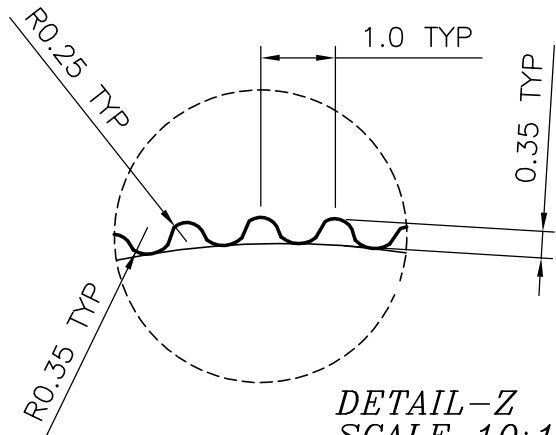


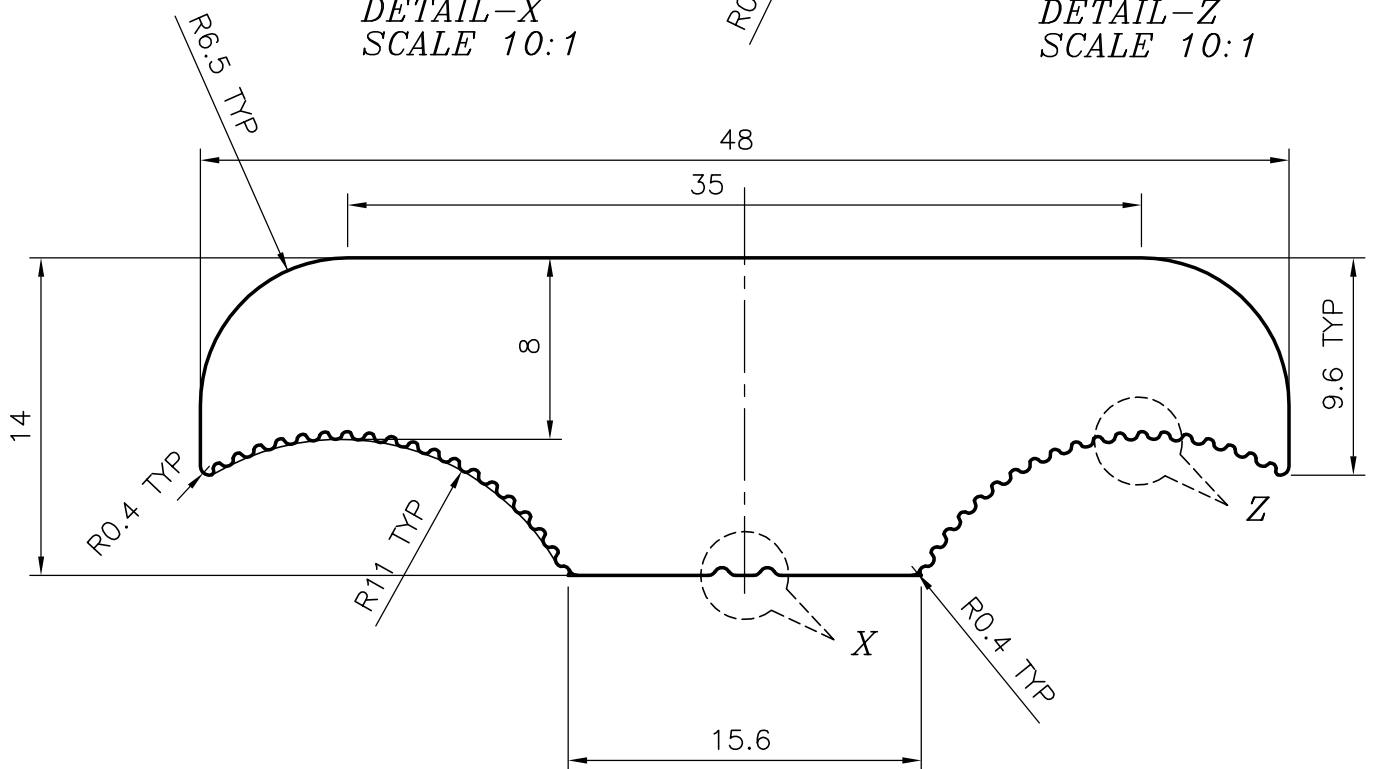
| |
|-------|
| 7427 |
| 25098 |
| - |



DETAIL-X
SCALE 10:1



DETAIL-Z
SCALE 10:1



SYMBOL OF QUALITY
AN ISO 9002 COMPANY

JINDAL ALUMINIUM LTD.
BANGALORE-560073 (INDIA)

| | | |
|----------|------------|---------|
| | NAME | DATE |
| DRAWN | RANGASWAMY | 4-11-2K |
| CHECKED | | |
| APPROVED | | |

1. ALL DIMENSIONS ARE IN mm.
2. ROUND OFF ALL SHARP CORNERS WITH 0.40 mm.
3. TOLERANCES WILL BE AS PER IS:3965-1981 UNLESS OTHERWISE SPECIFIED

| | |
|-------------|-------|
| SCALE | 3:1 |
| WEIGHT kg/m | 1.341 |
| SECTION No. | 25098 |

| | |
|---------------------|--|
| PARTY'S NAME | NATIONAL ELECTRICAL INDUSTRIES CO. L.L.C |
| PARTY'S DRAWING No. | AS PER SAMPLE (BB) |
| ALLOY & TEMPER | 6063 T6 |
| DESCRIPTION | PANEL ACCESSORIES |

| | |
|-------------|-------|
| DRAWING No. | 25098 |
|-------------|-------|