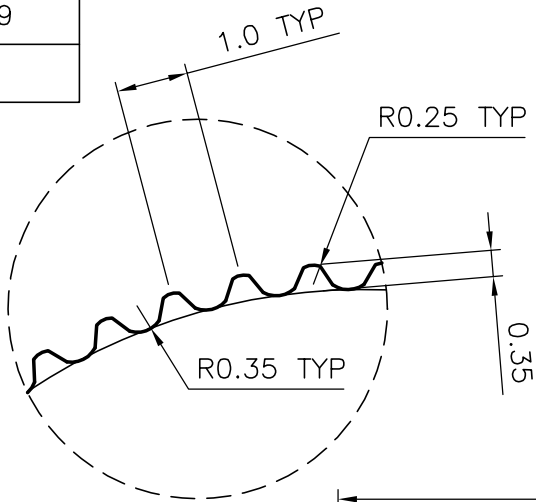
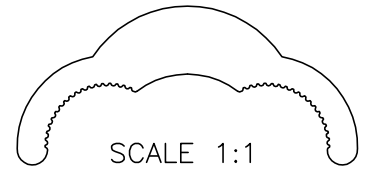


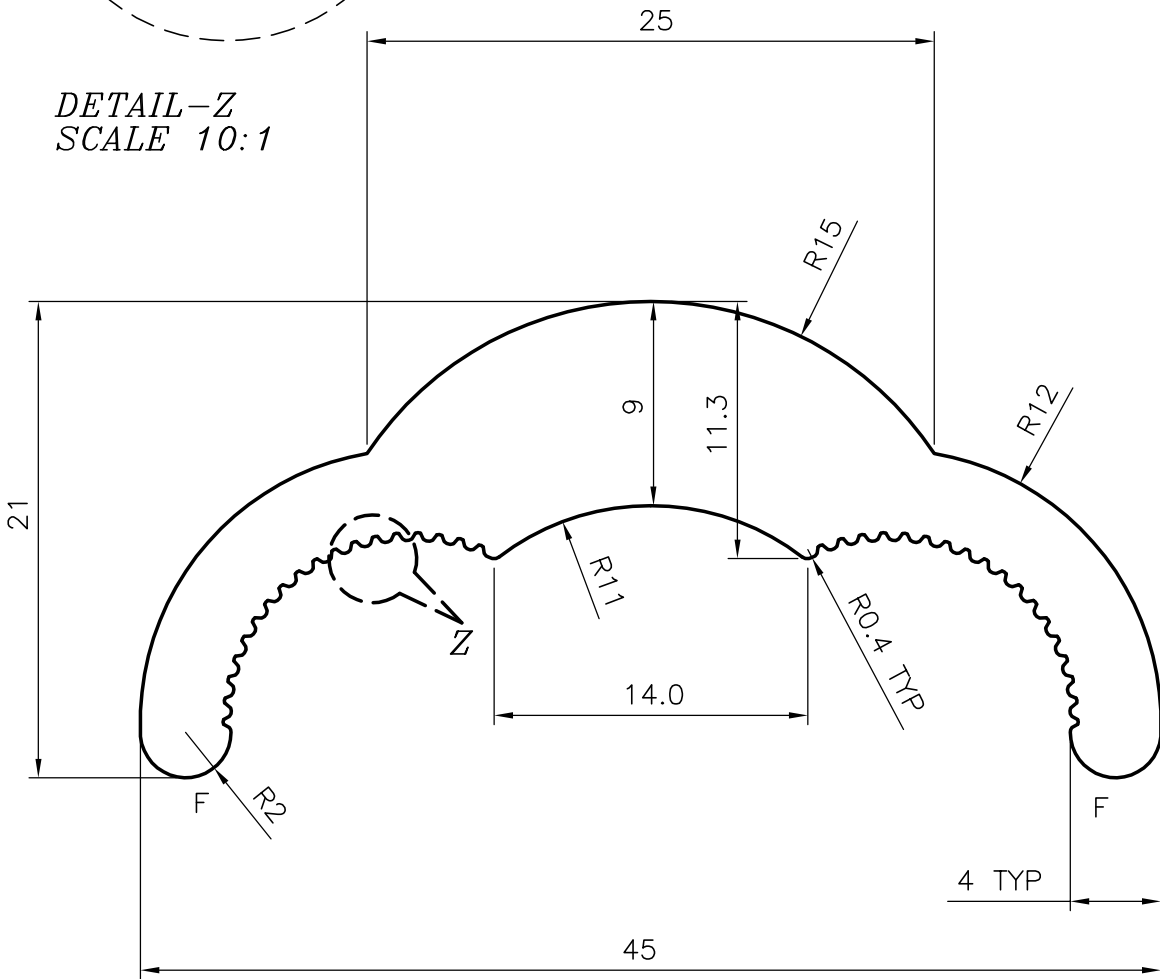
7428

25099

-



DETAIL-Z
SCALE 10:1



NOTE :

1. F=FULL RADII



SYMBOL OF QUALITY
AN ISO 9002 COMPANY

JINDAL ALUMINIUM LTD.
BANGALORE-560073 (INDIA)

	NAME	DATE
DRAWN	RANGASWAMY	4-11-2K
CHECKED		
APPROVED		
SCALE	3:1	
WEIGHT kg/m	0.881	
SECTION No.	25099	
DRAWING No.	25099	

1. ALL DIMENSIONS ARE IN mm. 2. ROUND OFF ALL SHARP CORNERS WITH 0.40 mm. 3. TOLERANCES WILL BE AS PER I.S.3965-1981 UNLESS OTHERWISE SPECIFIED	
PARTY'S NAME	NATIONAL ELECTRICAL INDUSTRIES CO. L.L.C
PARTY'S DRAWING No.	AS PER SAMPLE (AT)
ALLOY & TEMPER	HE9 WP
DESCRIPTION	PANEL ACCESSORIES