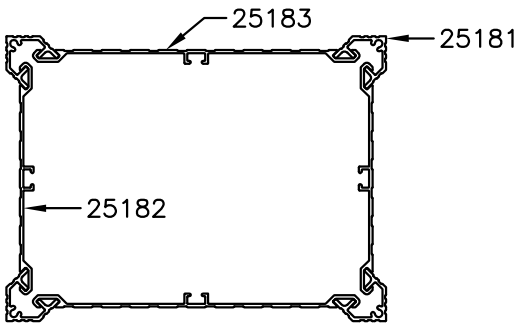
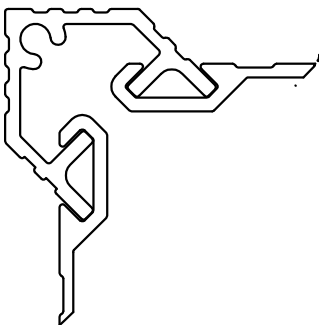
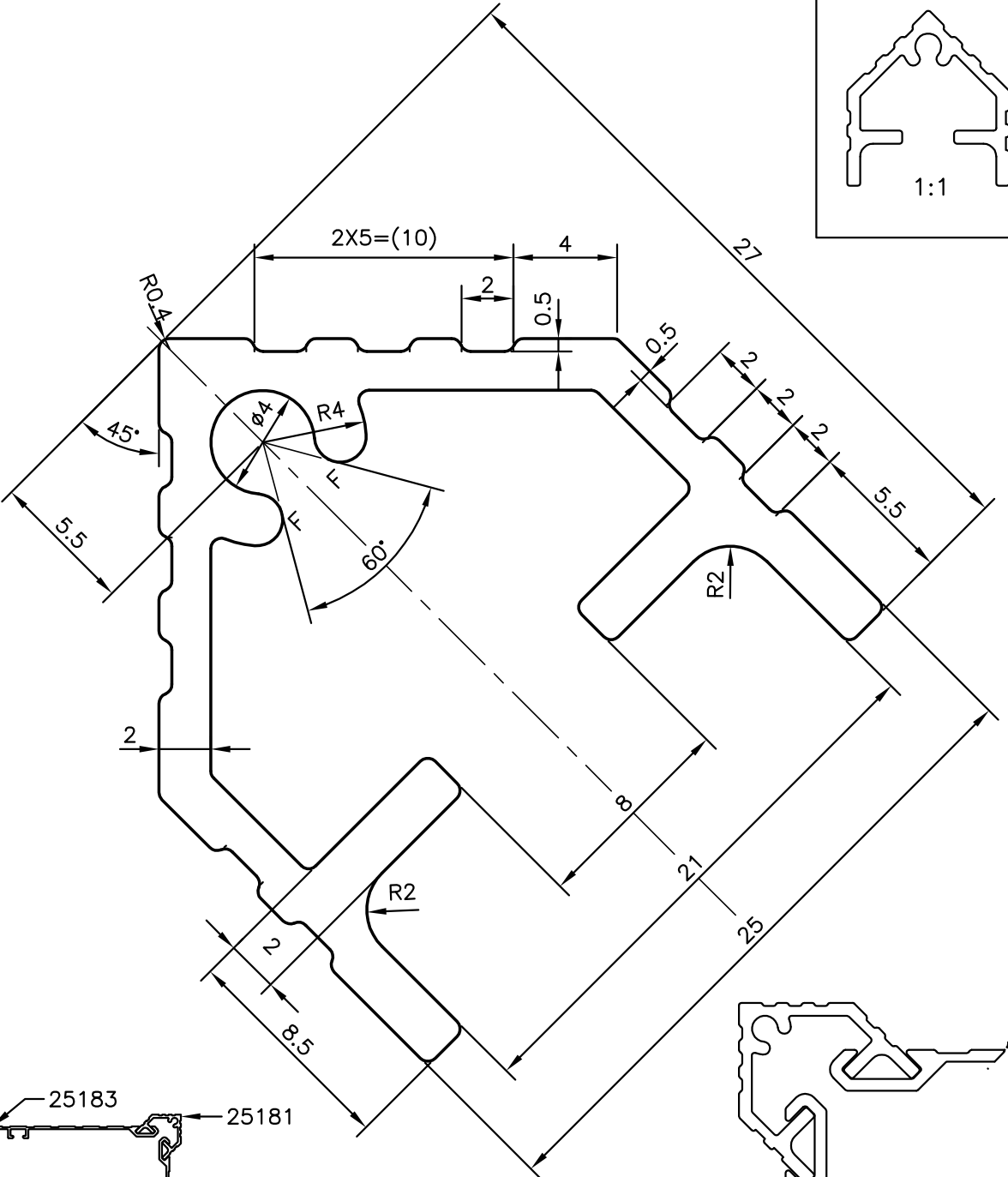
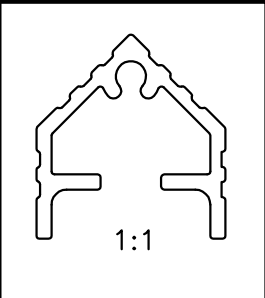



P-9699  
S2417  
25181



F = FULL RADIUS (2 PLACES )

 SYMBOL OF QUALITY AN ISO 9001 COMPANY	<b>JINDAL ALUMINIUM LTD.</b> BANGALORE-560073 (INDIA)	DRAWN	J.P.KAUSHIK	DATE	24-12-2009
		CHECKED			
1. ALL DIMENSIONS ARE IN mm. 2. ROUND OFF ALL SHARP CORNERS WITH 0.40 mm. 3. TOLERANCES WILL BE AS PER IS:3965-1981, UNLESS OTHERWISE SPECIFIED		SCALE	4:1		
		AREA mm <sup>2</sup>	151.574		
PARTY'S NAME TWINKLE LUMINAIRES PVT. LTD., GHAZIABAD		PERIMETER mm.	159.647		
		WEIGHT kg/m	0.409		
PARTY'S DRAWING No. AS PER SAMPLE		DRAWING No.	SECTION No.		
		P-9699	-		
ALLOY & TEMPER HE9 WP		S2417	S2417		
		25181	25181		
DESCRIPTION MISC. SECTION					