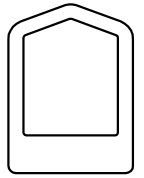


P-11031

S2981

25212

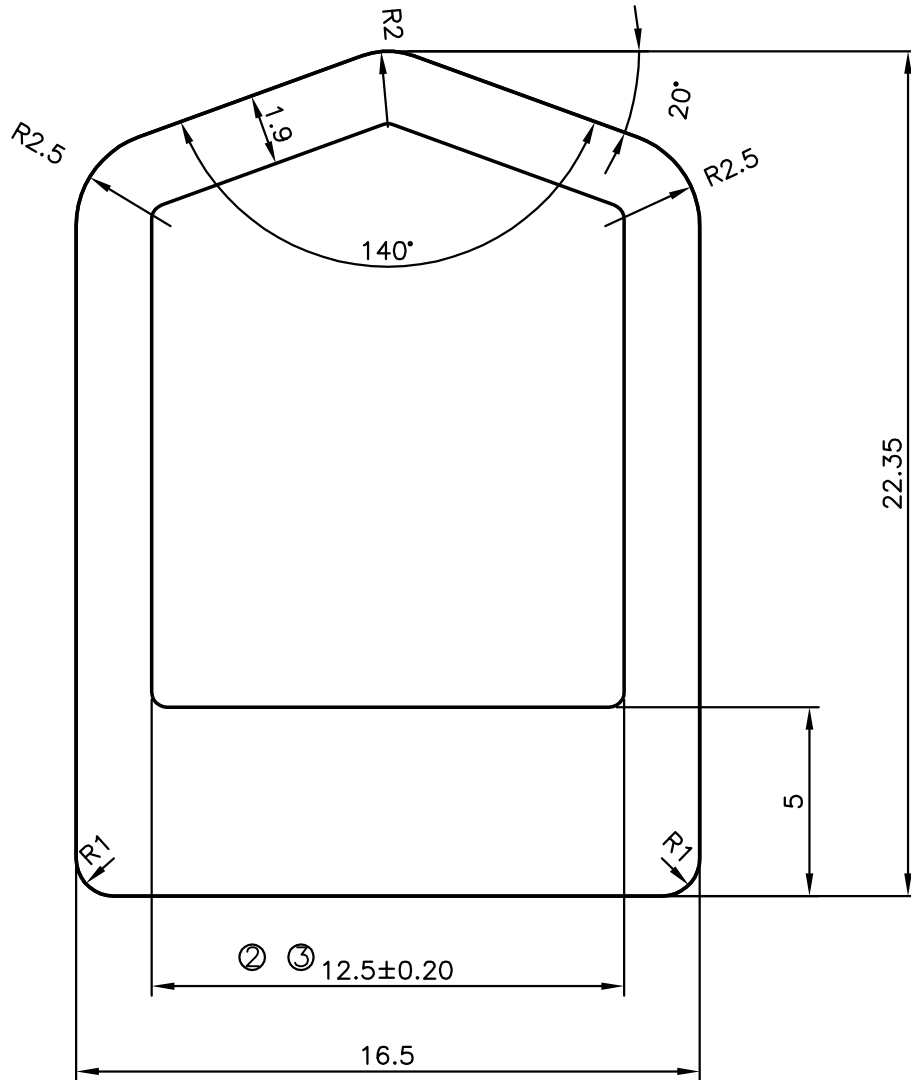


1:1

ISSUE-2 :-

DIMENSION ADDED ON ID 12.45 ± 0.20

WEIGHT ALSO CHANGED FROM 0.433 kg/M TO 0.449kg/M



ISSUE-3 :-

DIMENSION CHANGED FROM 12.45 ± 0.20 TO 12.5 ± 0.20

WEIGHT ALSO CHANGED FROM 0.449 kg/M TO 0.447kg/M



SYMBOL OF QUALITY
AN ISO 9001 COMPANY

JINDAL ALUMINIUM LTD.
BANGALORE-560073 (INDIA)

	NAME	DATE
DRAWN	J.P.KAUSHIK	05-07-2011
CHECKED		
APPROVED	S.S.GARG	06-07-2011

1. ALL DIMENSIONS ARE IN mm.
2. ROUND OFF ALL SHARP CORNERS WITH 0.40 mm.
3. TOLERANCES WILL BE AS PER, BS:EN-755-9 UNLESS OTHERWISE SPECIFIED

SCALE	5:1
AREA mm ²	165.627
PERIMETER mm.	71.199
WEIGHT kg/m	0.447

PARTY'S NAME	VEER-O-METALS PVT. LTD., BANGALORE	DRAWING No.	P-11031	SECTION No.	-
PARTY'S DRAWING No.	AS PER SAMPLE	S2981	S2981(ISSUE-3)		
ALLOY & TEMPER	6063 T5	25212	25212		
DESCRIPTION	MISC. SECTION				