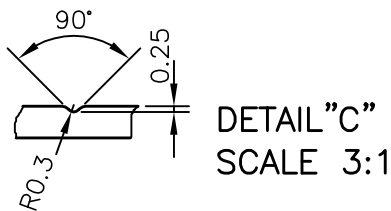
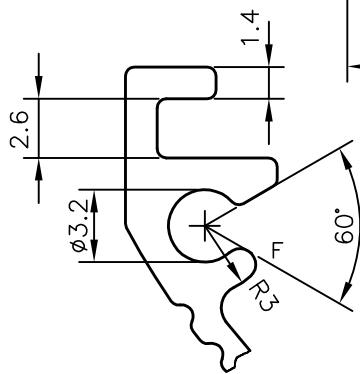
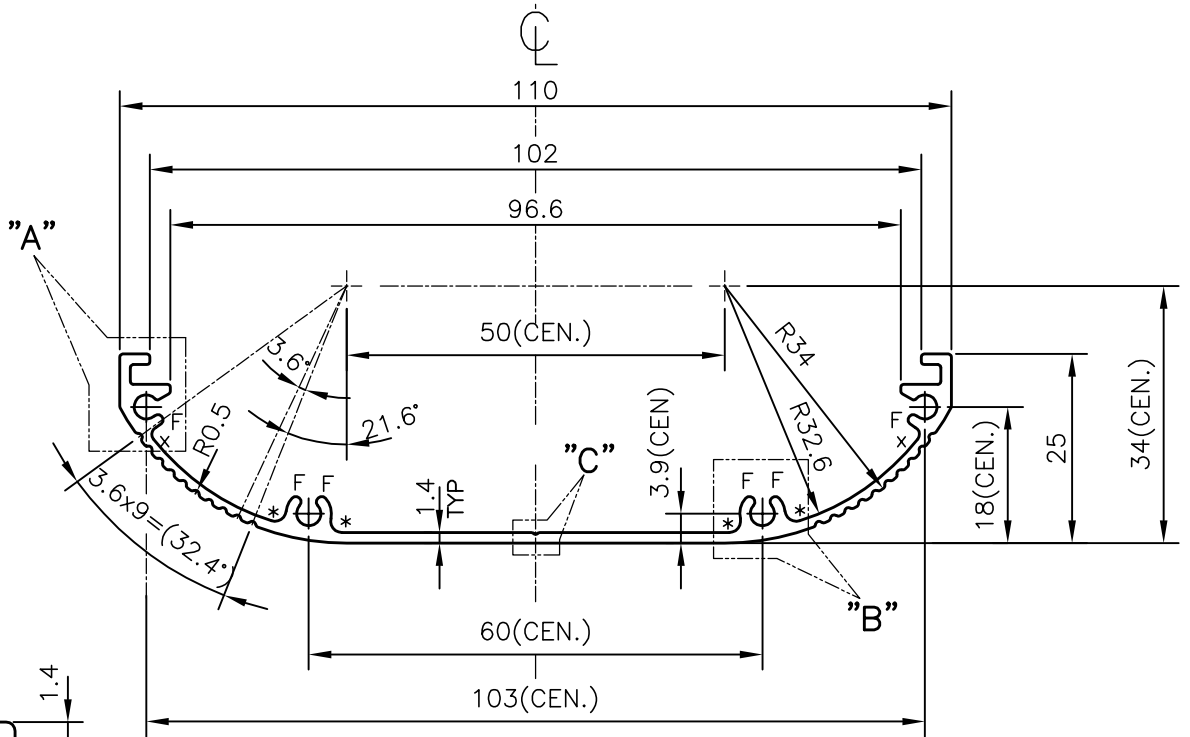
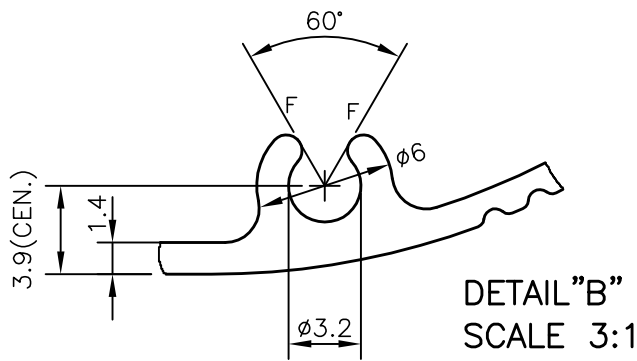


P-11763-1
S3284
25218



DETAIL "A"
SCALE 3:1

DETAIL "C"
SCALE 3:1

F FULL RADIUS (6 PLACES)
x 1.0 RADIUS (2 PLACES)
* 1.5 RADIUS (4 PLACES)



SYMBOL OF QUALITY
AN ISO 9001 COMPANY

JINDAL ALUMINIUM LTD.
BANGALORE-560073 (INDIA)

	NAME	DATE
DRAWN	J.P.KAUSHIK	18-05-2012
CHECKED		
APPROVED	J.N.RAI	23-05-2012
SCALE		1:1
AREA mm ²		247.664
PERIMETER mm.		340.156
WEIGHT kg/m		0.669
DRAWING No.	SECTION No.	
P-11763-1	-	
S3284	S3284	
25218	25218	

1. ALL DIMENSIONS ARE IN mm.
2. ROUND OFF ALL SHARP CORNERS WITH 0.40 mm.
3. TOLERANCES WILL BE AS PER IS:3965-1981 UNLESS OTHERWISE SPECIFIED

PARTY'S NAME	AARON LIGHTS PVT. LTD., BANGALORE
PARTY'S DRAWING No.	ARP-0028-02
ALLOY & TEMPER	6063 T6
DESCRIPTION	ELECTRICAL SECTION