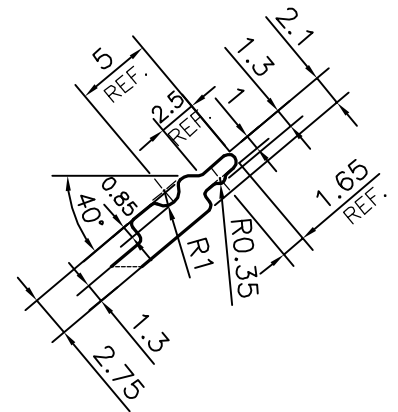
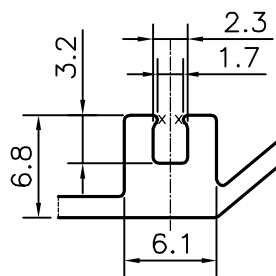
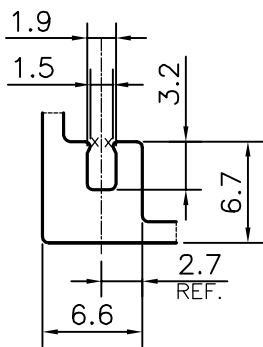
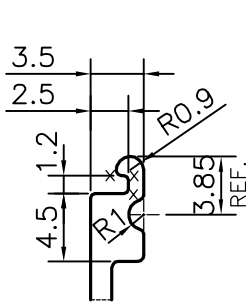
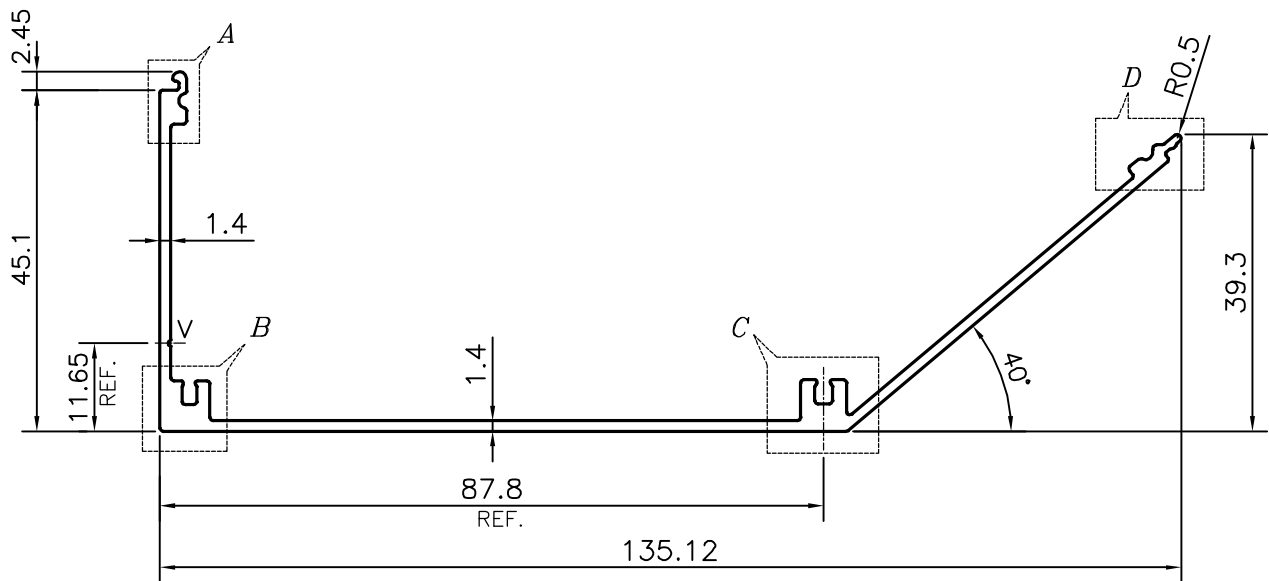


P-14547

S4431

25248



DETAIL OF "A"
SCALE 2:1

DETAIL OF "B"
SCALE 2:1

DETAIL OF "C"
SCALE 2:1

DETAIL OF "D"
SCALE 2:1

V = VEE GROOVE 0.3x90° (1 PLACE)
X = RADIUS 0.3 mm. (7 PLACES)

TOLERANCES ON OVERALL WIDTHS & WIDTHS ACROSS FLATS OF BARS, & REGULAR SECTIONS

UPTO 6.40mm - ±0.20	UPTO 32.0mm - ±0.38	UPTO 120.0mm - ±0.85	1. STRAIGHTNESS=1.7mm/M 2. TWIST=1.7mm/M 3. ANGULARITY= ±2° 4. FLATNESS =0.007xWIDTH
UPTO 10.0mm - ±0.23	UPTO 50.0mm - ±0.46	UPTO 160.0mm - ±1.02	
UPTO 12.0mm - ±0.25	UPTO 60.0mm - ±0.53	UPTO 200.0mm - ±1.14	
UPTO 16.0mm - ±0.28	UPTO 80.0mm - ±0.69	UPTO 250.0mm - ±1.40	
UPTO 25.0mm - ±0.30	UPTO 100.0mm - ±0.75	UPTO 300.0mm - ±1.65	



SYMBOL OF QUALITY
AN ISO 9001 COMPANY

JINDAL ALUMINIUM LTD.
BANGALORE-560073 (INDIA)

	NAME	DATE
DRAWN	PARVESH	10-04-2015
CHECKED		
APPROVED	S.S.GARG	15-04-2015
SCALE		1:1
AREA mm ²		328.141
PERIMETER mm.		422.565
WEIGHT kg/m		0.886
DRAWING No.	SECTION No.	
P-14547	-	
S4431	S4431	
25248	25248	

1. ALL DIMENSIONS ARE IN mm.
2. ROUND OFF ALL SHARP CORNERS WITH 0.40 mm.
3. TOLERANCES WILL BE AS PER IS:3965-1981, UNLESS OTHERWISE SPECIFIED

PARTY'S NAME	AVALON TECHNOLOGIES PVT. LTD., CHENNAI
PARTY'S DRAWING No.	AS PER AUTOCAD DRAWING & REQUIREMENT
ALLOY & TEMPER	HE9 WP
DESCRIPTION	ELECTRICAL SECTION