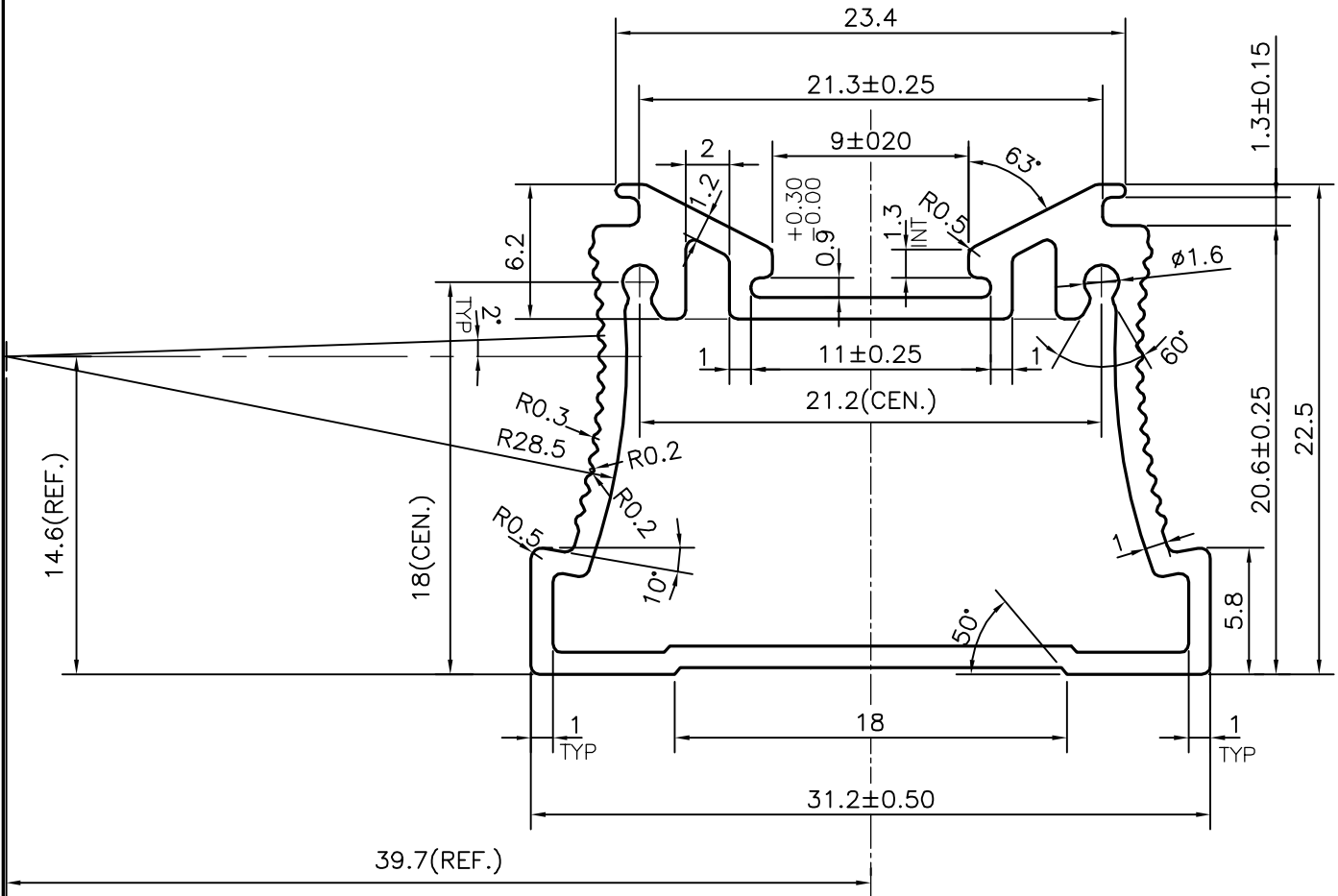
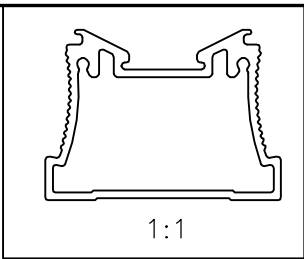



P-13005-1
S3864
X1694
25260



TOLERANCE CHART CD = CIRCUMSCRIBING CIRCLE

	CD ≤ 100	100 < CD ≤ 200	200 < CD < 300	300 < CD < 500
UPTO 10mm -	±0.25	±0.30	±0.35	±0.40
10.0 - 25.0 -	±0.30	±0.40	±0.50	±0.60
25.0 - 50.0 -	±0.50	±0.60	±0.80	±0.90
50.0 - 100.0 -	±0.70	±0.90	±1.10	±1.30
100 - 150 -	-	±1.10	±1.30	±1.50
150 - 200 -	-	±1.3	±1.50	±1.80
200 - 300 -	-	-	±1.70	±2.10
300 - 450 -	-	-	-	±2.80

 SYMBOL OF QUALITY AN ISO 9001 COMPANY	JINDAL ALUMINIUM LTD. BANGALORE-560073 (INDIA)	NAME	DATE
		DRAWN	J.P.KAUSHIK
		CHECKED	
		APPROVED	S.S.GARG
		SCALE	3:1
		AREA mm ²	133.56
		PERIMETER mm.	123.67
		WEIGHT kg/m	0.361
PARTY'S NAME	PROMPTEC RENEWABLE ENERGY SOLUTIONS PVT. LTD., BANGALORE	DRAWING No.	SECTION No.
PARTY'S DRAWING No.	P00067 REV.1	P-13005-1	-
ALLOY & TEMPER	6063 T6	S3864	S3864
		X1694	X1694
DESCRIPTION	TUBE LIGHT SECTION	25260	25260

- ALL DIMENSIONS ARE IN mm.
- ROUND OFF ALL SHARP CORNERS WITH 0.40 mm.
- TOLERANCES WILL BE AS PER BS:EN-755-9, UNLESS OTHERWISE SPECIFIED