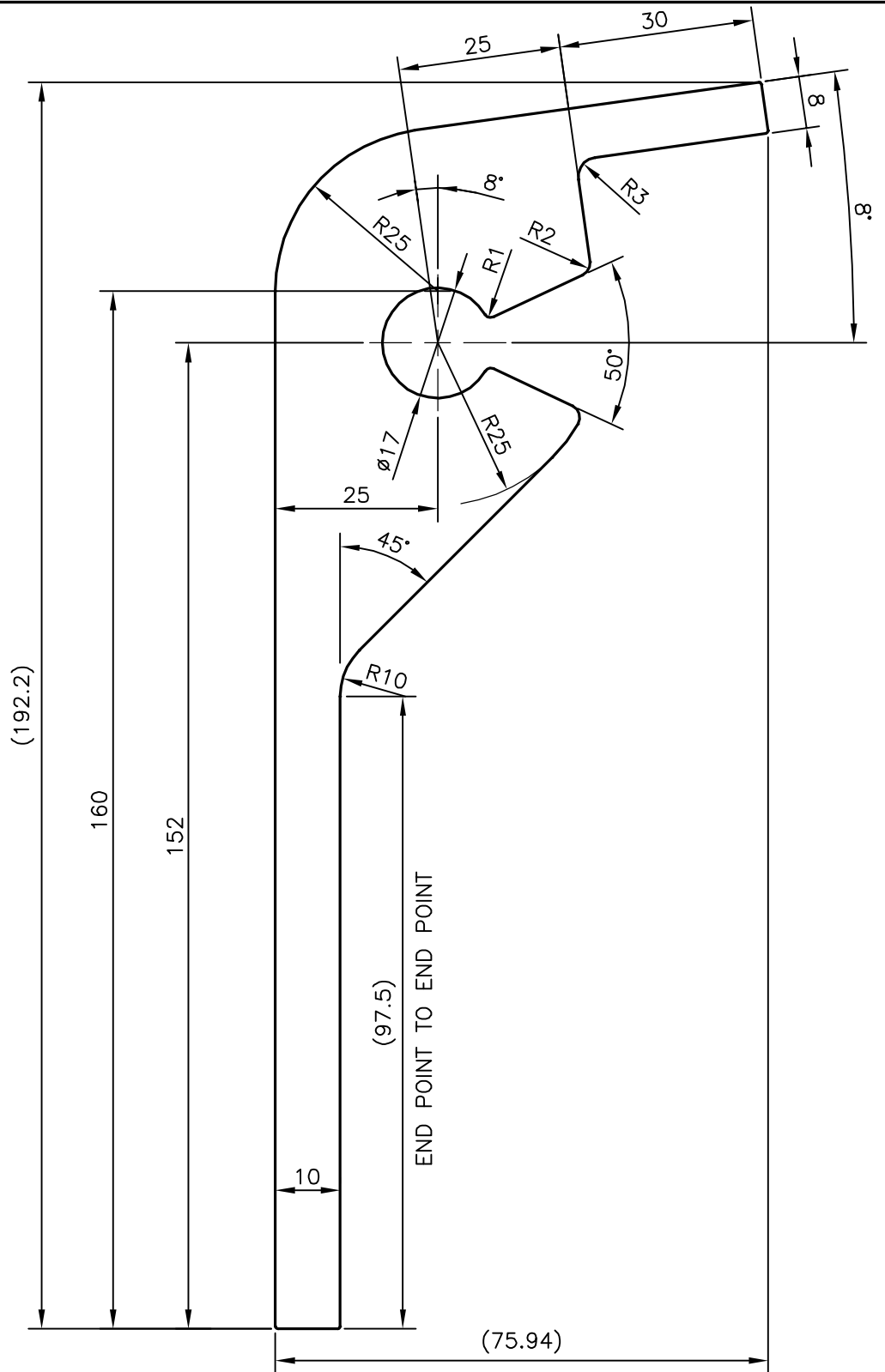


P-12060-1
S3645
25285



JINDAL ALUMINIUM LTD.
BANGALORE-560073 (INDIA)

	NAME	DATE
DRAWN	RAGHAVENDRA	24-09-2012
CHECKED		
APPROVED	J.N.RAI	08-02-2013
SCALE		1:1
AREA mm ²		3973.658
PERIMETER mm.		547.14
WEIGHT kg/m		10.729
DRAWING No.	SECTION No.	
P-12060-1	-	
S3645	S3645	
25285	25285	

1. ALL DIMENSIONS ARE IN mm.
2. ROUND OFF ALL SHARP CORNERS WITH 0.40 mm.
3. TOLERANCES WILL BE AS PER BS:EN-755-9 UNLESS OTHERWISE SPECIFIED

PARTY'S NAME	ALSTOM T&D INDIA LIMITED, CHENNAI
PARTY'S DRAWING No.	Y-2331
ALLOY & TEMPER	6060 T6
DESCRIPTION/END USE	SUPPORT SECTION