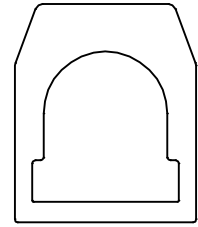


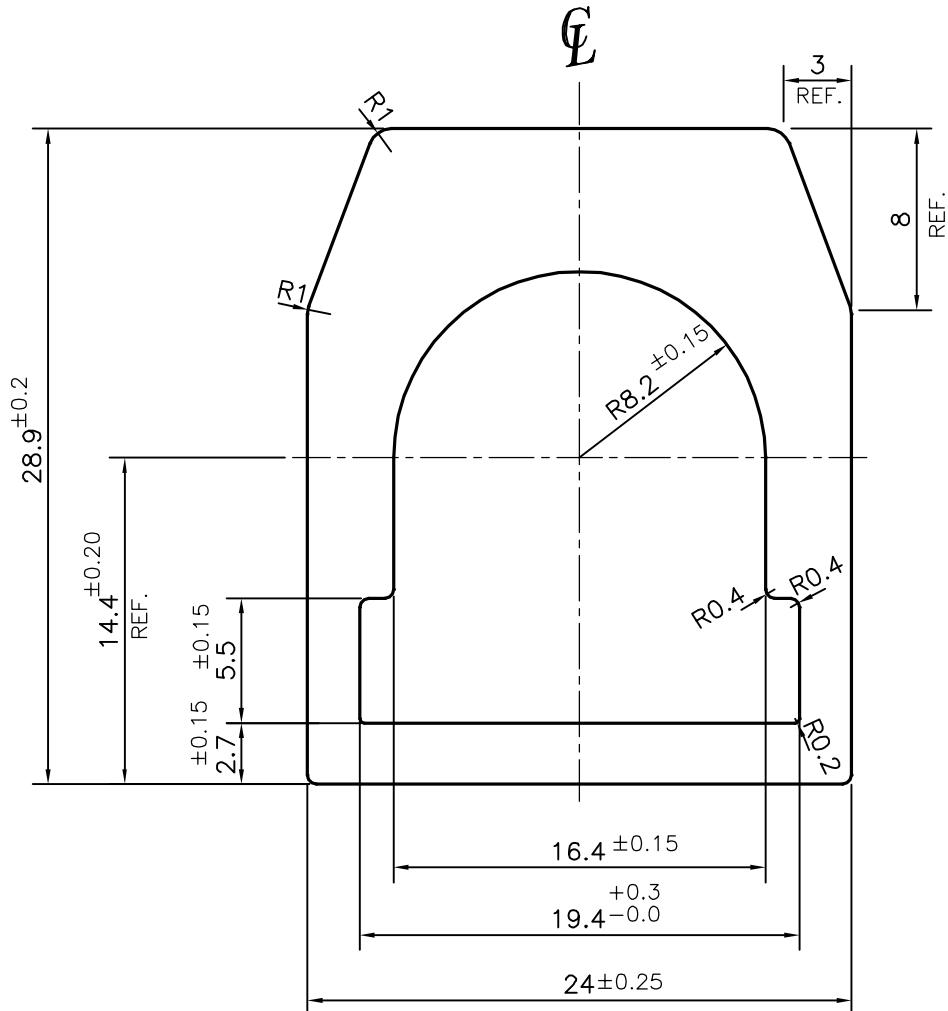
P-13810-1

S4191

25298



SCALE: - 1:1



SYMBOL OF QUALITY  
AN ISO 9001 COMPANY

**JINDAL ALUMINIUM LTD.**  
BANGALORE-560073 (INDIA)

	NAME	DATE
DRAWN	PARVESH	02-08-2014
CHECKED		
APPROVED	S.S.GARG	05-08-2014

1. ALL DIMENSIONS ARE IN mm.
2. ROUND OFF ALL SHARP CORNERS WITH 0.40 mm.
3. TOLERANCES WILL BE AS PER BS:EN-12020-2 , UNLESS OTHERWISE SPECIFIED

SCALE	3:1
AREA mm <sup>2</sup>	355.37
PERIMETER mm.	100.189
WEIGHT kg/m	0.959

PARTY'S NAME	BALARK METALS PVT. LTD., JAMNAGAR
PARTY'S DRAWING No.	RD-0014
ALLOY & TEMPER	AlMgSi0.5
DESCRIPTION	ELECTRIC CONNECTOR SECTION

DRAWING No.	SECTION No.
P-13810-1	-
S4191	S4191
25298	25298