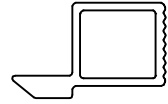


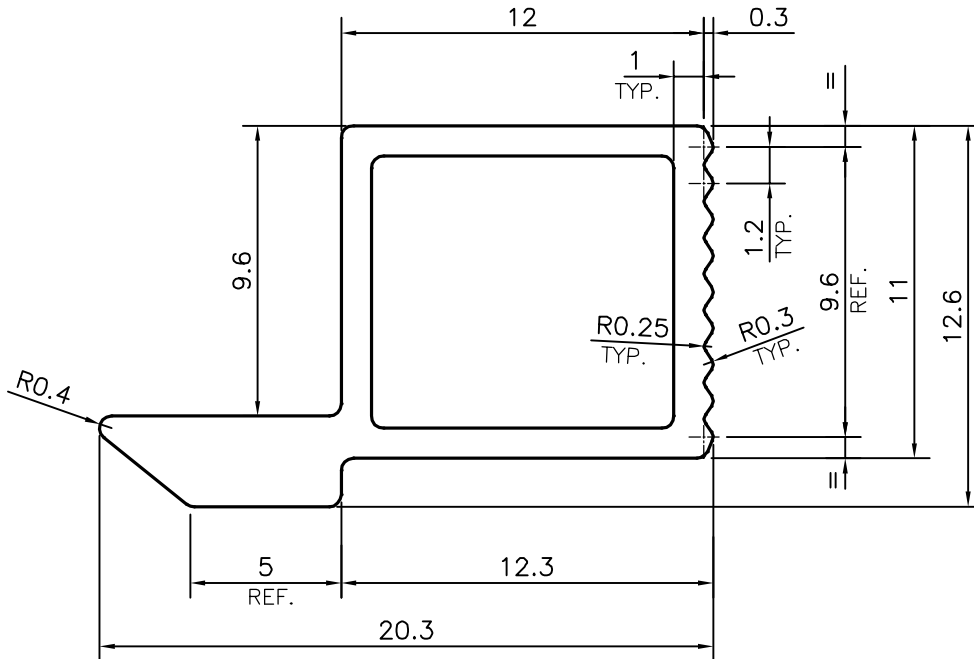
P-14445

S4405

25312



SCALE: - 1:1



TOLERANCES ON OVERALL WIDTHS & WIDTHS ACROSS FLATS OF BARS, & REGULAR SECTIONS

UPTO 6.40mm - ± 0.20
 UPTO 10.0mm - ± 0.23
 UPTO 12.0mm - ± 0.25
 UPTO 16.0mm - ± 0.28
 UPTO 25.0mm - ± 0.30

UPTO 32.0mm - ± 0.38
 UPTO 50.0mm - ± 0.46
 UPTO 60.0mm - ± 0.53
 UPTO 80.0mm - ± 0.69
 UPTO 100.0mm - ± 0.75

UPTO 120.0mm - ± 0.85
 UPTO 160.0mm - ± 1.02
 UPTO 200.0mm - ± 1.14
 UPTO 250.0mm - ± 1.40
 UPTO 300.0mm - ± 1.65

1. STRAIGHTNESS=1.7mm/M
 2. TWIST=1.7mm/M
 3. ANGULARITY= $\pm 2^\circ$
 4. FLATNESS =0.007xWIDTH



SYMBOL OF QUALITY
 AN ISO 9001 COMPANY

JINDAL ALUMINIUM LTD.
 BANGALORE-560073 (INDIA)

	NAME	DATE
DRAWN	PARVESH	19-02-2015
CHECKED		
APPROVED	S.S.GARG	28-02-2015

- ALL DIMENSIONS ARE IN mm.
- ROUND OFF ALL SHARP CORNERS WITH 0.40 mm.
- TOLERANCES WILL BE AS PER IS:6477-1983 , UNLESS OTHERWISE SPECIFIED

SCALE	4:1
AREA mm ²	64.165
PERIMETER mm.	64.11
WEIGHT kg/m	0.173

PARTY'S NAME ANAPADM HEATREAT PVT LTD., PUNE

PARTY'S DRAWING No. AS PER DRAWING

ALLOY & TEMPER HE9 WP

DESCRIPTION ELECTRICAL SECTION

DRAWING No.	SECTION No.
P-14445	-
S4405	S4405
25312	25312