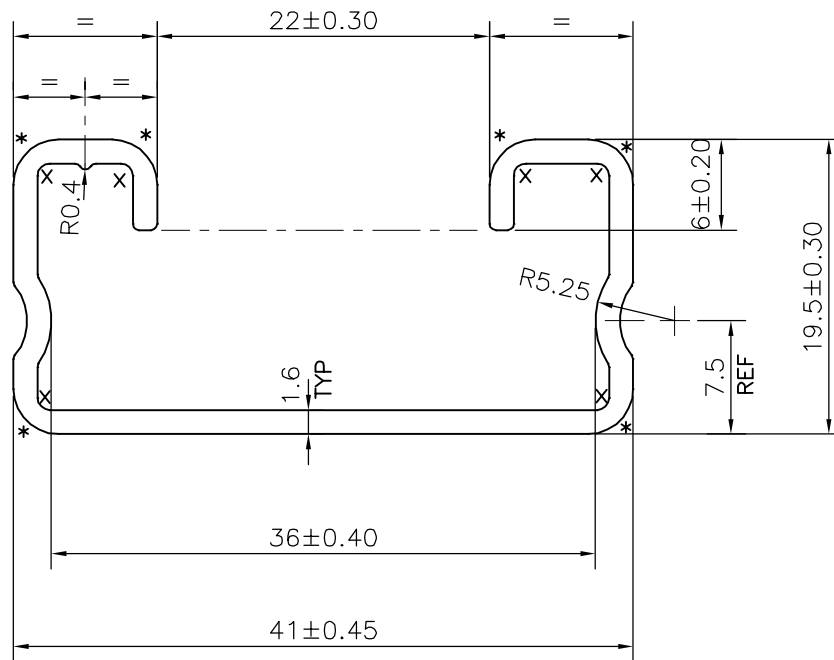
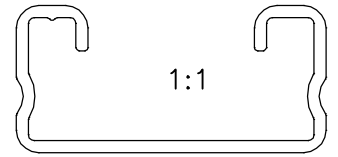


P-15924

S4994

25368



x = 0.8 RADIUS (6 PLACES)

* = 3.0 RADIUS (6 PLACES)



SYMBOL OF QUALITY
AN ISO 9001 COMPANY

JINDAL ALUMINIUM LTD.
BANGALORE-560073 (INDIA)

	NAME	DATE
DRAWN	J.P.KAUSHIK	02-06-2016
CHECKED		
APPROVED	S.S. GARG	29-06-2016
SCALE		2:1
AREA mm ²		152.878
PERIMETER mm.		197.34
WEIGHT kg/m		0.413
DRAWING No.	SECTION No.	
P-15924	-	
S4994	S4994	
25368	25368	

1. ALL DIMENSIONS ARE IN mm.
2. ROUND OFF ALL SHARP CORNERS WITH 0.40 mm.
3. TOLERANCES WILL BE AS PER,IS:3965-1981 UNLESS OTHERWISE SPECIFIED

PARTY'S NAME	IMPRES INDIA CABLE & PIPE SUPPORTS PVT. LTD., BANGALORE
PARTY'S DRAWING No.	AS PER DRAWING-51099
ALLOY & TEMPER	6063 T6
DESCRIPTION	CABLE LADDER RUNG SECTION