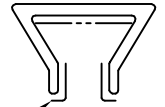


P-18059

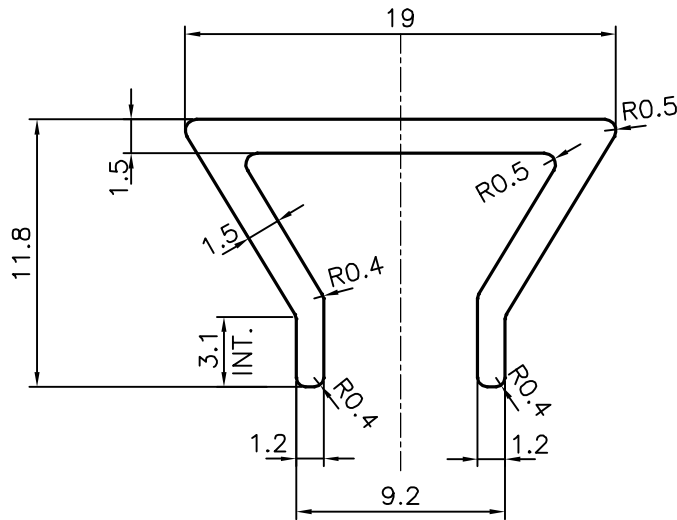
S5758

25395



1:1

EXPOSED SURFACE



TOLERANCES ON OVERALL WIDTHS & WIDTHS ACROSS FLATS OF BARS, & REGULAR SECTIONS

| | | | |
|--------------------------|---------------------------|---------------------------|----------------------------|
| UPTO 6.40mm - ± 0.20 | UPTO 32.0mm - ± 0.38 | UPTO 120.0mm - ± 0.85 | UPTO 320.00mm - ± 1.70 |
| UPTO 10.0mm - ± 0.23 | UPTO 50.0mm - ± 0.46 | UPTO 160.0mm - ± 1.02 | |
| UPTO 12.0mm - ± 0.25 | UPTO 60.0mm - ± 0.53 | UPTO 200.0mm - ± 1.14 | |
| UPTO 16.0mm - ± 0.28 | UPTO 80.0mm - ± 0.69 | UPTO 250.0mm - ± 1.40 | |
| UPTO 25.0mm - ± 0.30 | UPTO 100.0mm - ± 0.75 | UPTO 300.0mm - ± 1.65 | |



SYMBOL OF QUALITY
AN ISO 9001 COMPANY

JINDAL ALUMINIUM LTD.
BANGALORE-560073 (INDIA)

| | NAME | DATE |
|----------|-------------|------------|
| DRAWN | J.P.KAUSHIK | 04-04-2018 |
| CHECKED | | |
| APPROVED | B.NATARAJA | 10-04-2018 |

- ALL DIMENSIONS ARE IN mm.
- ROUND OFF ALL SHARP CORNERS WITH 0.40 mm.
- TOLERANCES WILL BE AS PER IS:3965-1981, UNLESS OTHERWISE SPECIFIED

| | |
|----------------------|--------|
| SCALE | 3:1 |
| AREA mm ² | 60.373 |
| PERIMETER mm. | 82.338 |
| WEIGHT kg/m | 0.163 |

| | |
|---------------------|--|
| PARTY'S NAME | DISHA RETAIL FIXTURES PVT. LTD., BANGALORE |
| PARTY'S DRAWING No. | DRF-02821-001 |
| ALLOY & TEMPER | 6063 T6 |
| DESCRIPTION | MISC. CHANNEL |

| DRAWING No. | SECTION No. |
|-------------|-------------|
| P-18059 | - |
| S5758 | S5758 |
| 25395 | 25395 |