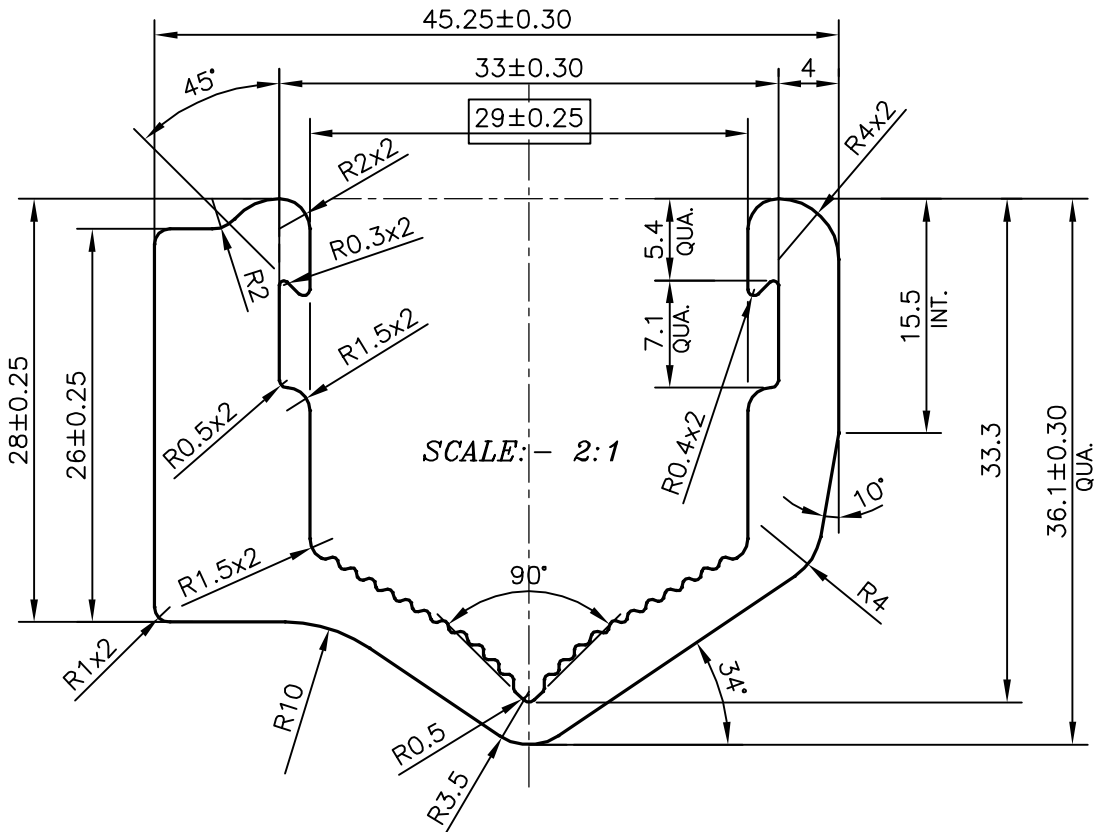
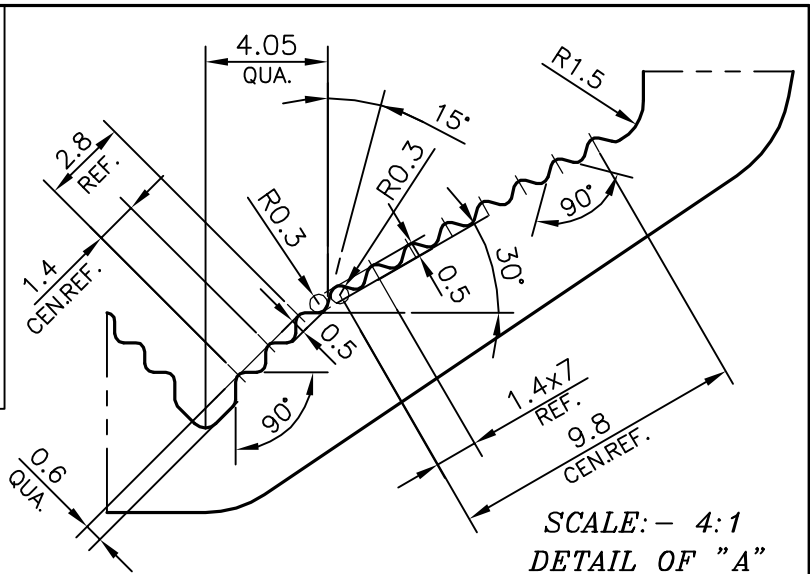
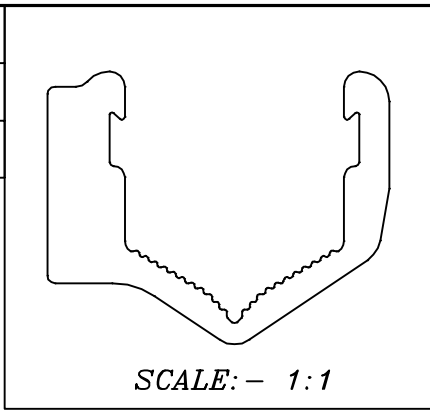


P-21035-1

25397



☐ MARKED DIMENSIONS ARE IMPORTANT

TOLERANCES ON OVERALL WIDTHS & WIDTHS ACROSS FLATS OF BARS, & REGULAR SECTIONS

UPTO 6.40mm - ±0.20	UPTO 32.0mm - ±0.38	UPTO 120.0mm - ±0.85	1. STRAIGHTNESS=1.7mm/M 2. TWIST=1.7mm/M 3. ANGULARITY= ±2° 4. FLATNESS =0.007xWIDTH
UPTO 10.0mm - ±0.23	UPTO 50.0mm - ±0.46	UPTO 160.0mm - ±1.02	
UPTO 12.0mm - ±0.25	UPTO 60.0mm - ±0.53	UPTO 200.0mm - ±1.14	
UPTO 16.0mm - ±0.28	UPTO 80.0mm - ±0.69	UPTO 250.0mm - ±1.40	
UPTO 25.0mm - ±0.30	UPTO 100.0mm - ±0.75	UPTO 300.0mm - ±1.65	



SYMBOL OF QUALITY
AN ISO 9001 COMPANY

JINDAL ALUMINIUM LTD.
BANGALORE-560073 (INDIA)

	NAME	DATE
DRAWN	DARPAN	17-06-2020
CHECKED		
APPROVED	B.NATARAJA	30-06-2020
SCALE		2:1
AREA mm ²		517.442
PERIMETER mm.		209.772
WEIGHT kg/m		1.397
DRAWING No.		SECTION No.
P-21035-1		-
25397		25397

1. ALL DIMENSIONS ARE IN mm.
2. ROUND OFF ALL SHARP CORNERS WITH 0.40 mm.
3. TOLERANCES WILL BE AS PER IS:3965-1981 , UNLESS OTHERWISE SPECIFIED

PARTY'S NAME	PROGRESSIVE ENGINEERING CO.
PARTY'S DRAWING No.	AE PER AUTOCAD DRAWING
ALLOY & TEMPER	6082 T6
DESCRIPTION	LINKBOX UNIVERSAL PHASE TERMINATION BOTTOM INSERTx35mm (CONCEPT-2)