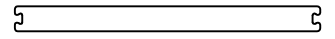


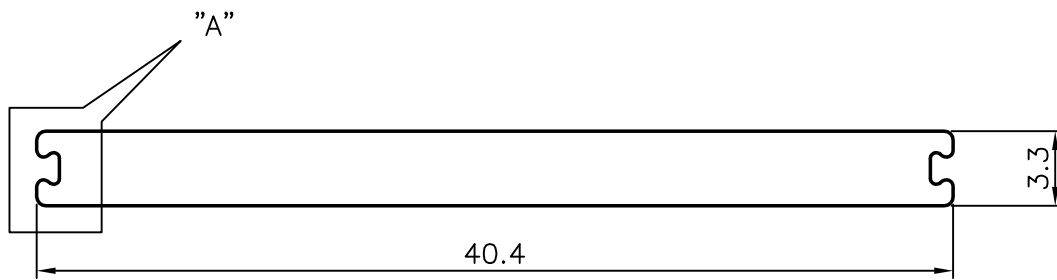
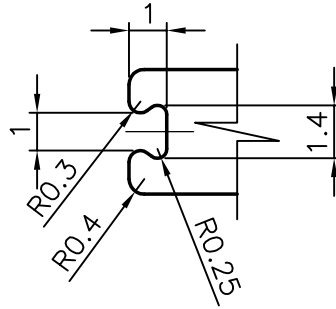
7508

25708



SCALE 1:1

DETAIL OF "A"
SCALE 5:1



NOTE:- FLATNESS = ± 0.25 mm



SYMBOL OF QUALITY
AN ISO 9001 COMPANY

JINDAL ALUMINIUM LTD.
BANGALORE-560073 (INDIA)

	NAME	DATE
DRAWN	PRASANN.H	05-07-2007
CHECKED		
APPROVED		

1. ALL DIMENSIONS ARE IN mm.
2. ROUND OFF ALL SHARP CORNERS WITH 0.40 mm.
3. TOLERANCES WILL BE AS PER IS:3965-1981 UNLESS OTHERWISE SPECIFIED

SCALE	3:1
AREA mm ²	130.784
PERIMETER mm.	90.785
WEIGHT kg/m	0.353

PARTY'S NAME	ELECTRONICS RELAY'S PVT. LTD., BANGALORE
PARTY'S DRAWING No.	CI-001
ALLOY & TEMPER	HE9 WP
DESCRIPTION	ALUMINIUM CASE

DRAWING No.	SECTION No.
7508	7508
25708	25708