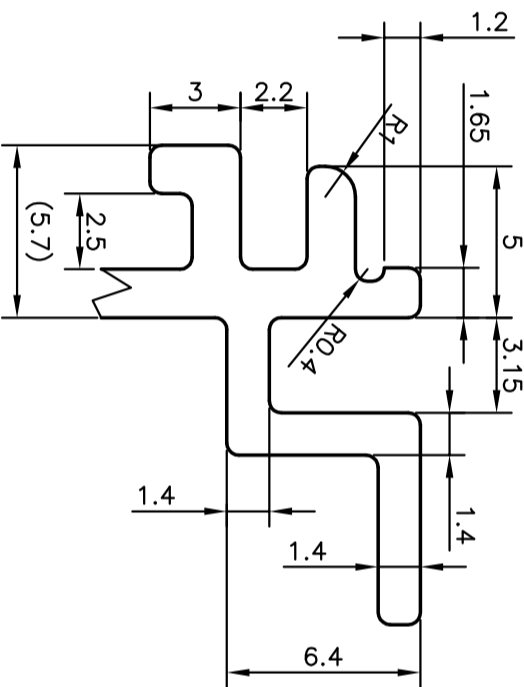
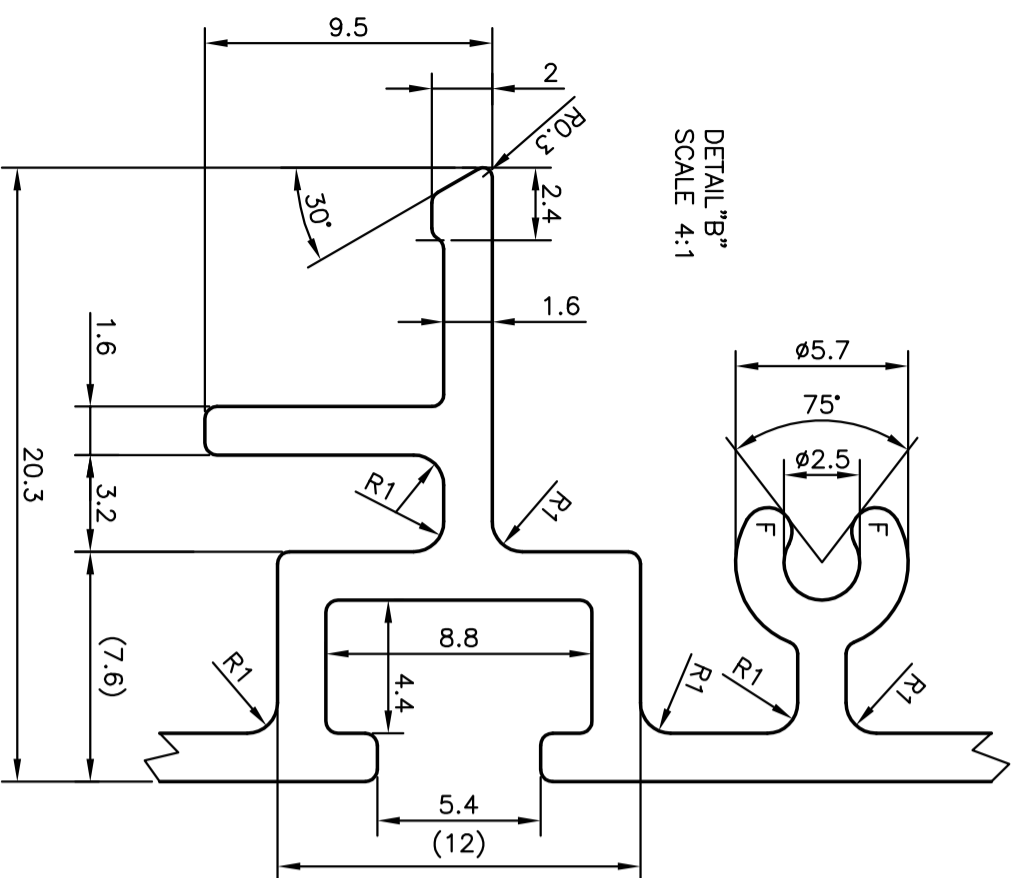


P-9521
S2309
25791

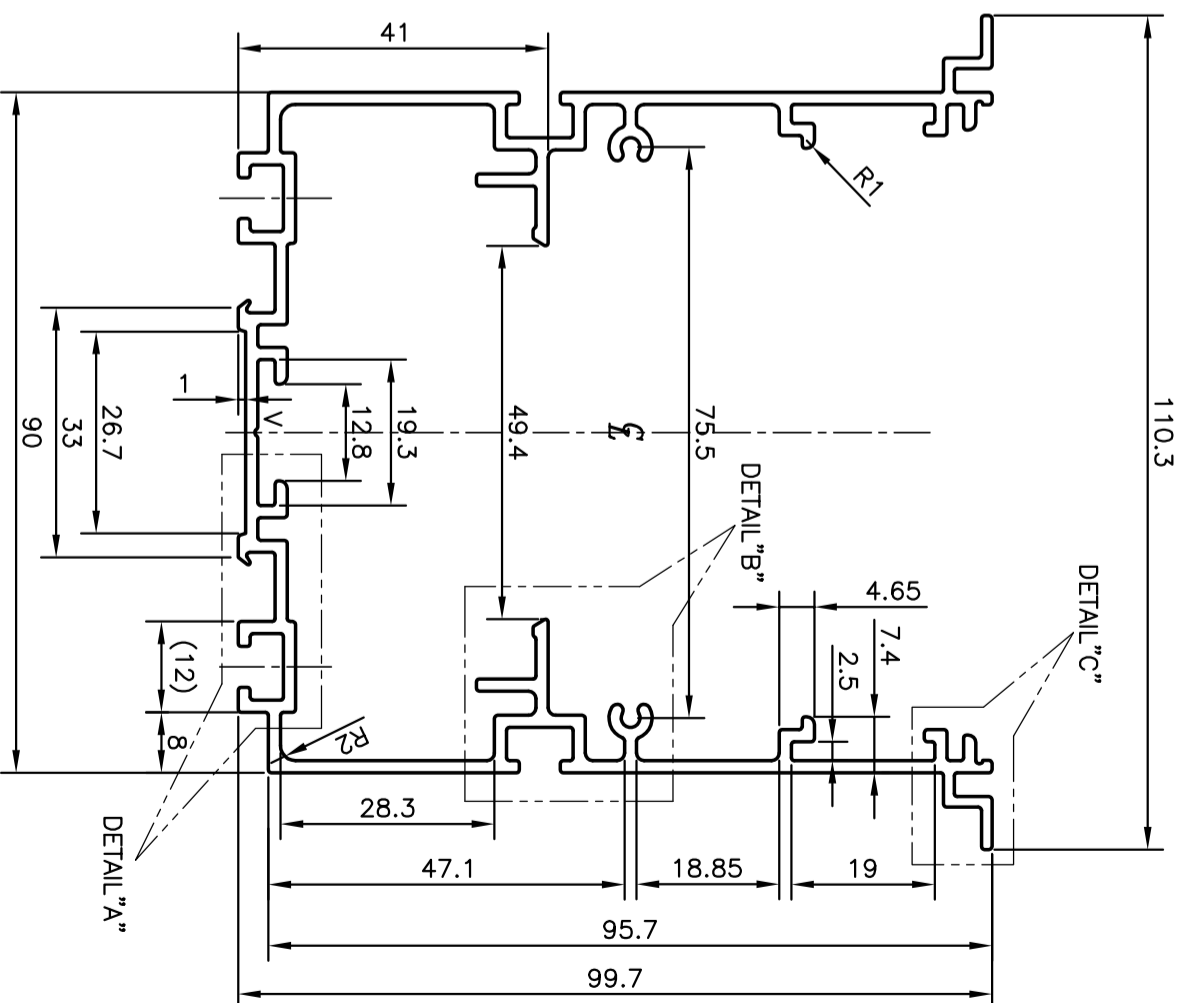
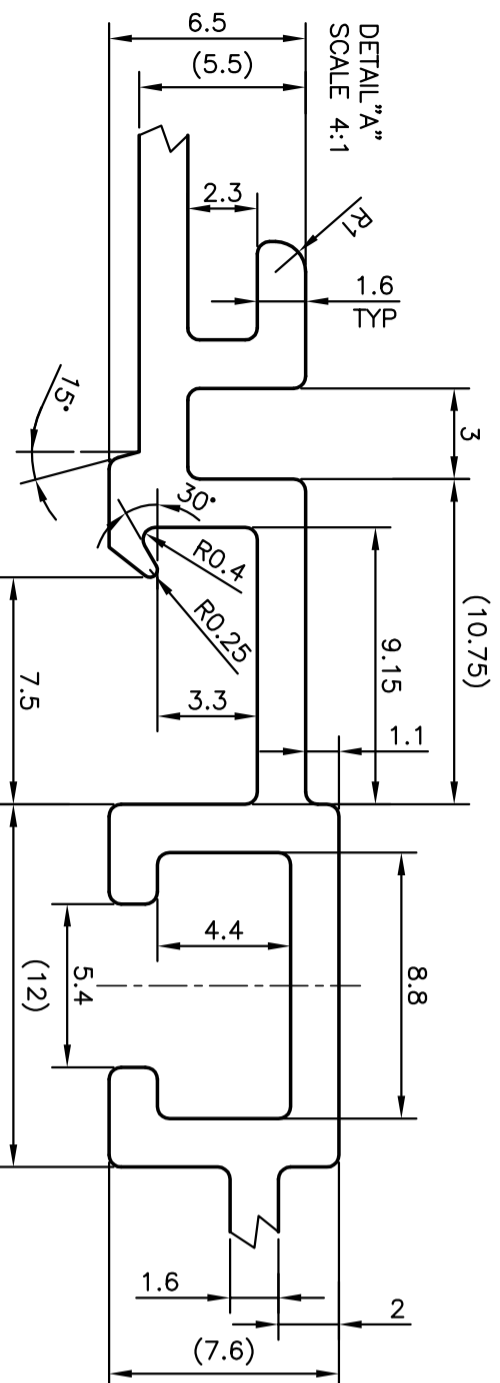
DETAIL "C"
SCALE 4:1



DETAIL "B"
SCALE 4:1




DETAIL "A"
SCALE 4:1



GENERAL WALL THICKNESS = 1.60mm
SECTION IS SYMMETRY ABOUT CENTER

F = FULL RADIUS (4 PLACES)
V = VEE GROOVE 0.40x90° (1 PLACE)
ALL UNSPECIFIED RADIUS WILL BE 0.40mm

 SYMBOL OF QUALITY AN ISO 9001 COMPANY		JINDAL ALUMINIUM LTD. BANGALORE-560073 (INDIA)		DRAWN	NAME	DATE
				CHECKED	RAGHAVENDRA	06-10-2009
1. ALL DIMENSIONS ARE IN mm. 2. ROUND OFF ALL SHARP CORNERS WITH 0.40 mm. 3. TOLERANCES WILL BE AS PER IS:3965-1981 UNLESS OTHERWISE SPECIFIED		SCALE	1:1	AREA	mm ²	795.686
PARTY'S NAME		INNOVATIVE INDIA ILLUMINATIONS, NEW DELHI	PERIMETER	mm.	967.752	
PARTY'S DRAWING No.		AS PER SAMPLE	WEIGHT	kg/m	2.148	
ALLOY & TEMPER		HE9 WP	DRAWING No.	SECTION No.		
DESCRIPTION		ELECTRONICS SECTION	P-9521			
			S2309			
			25791			