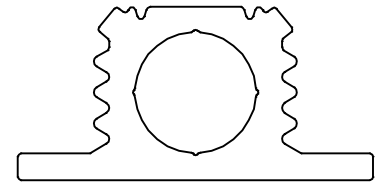


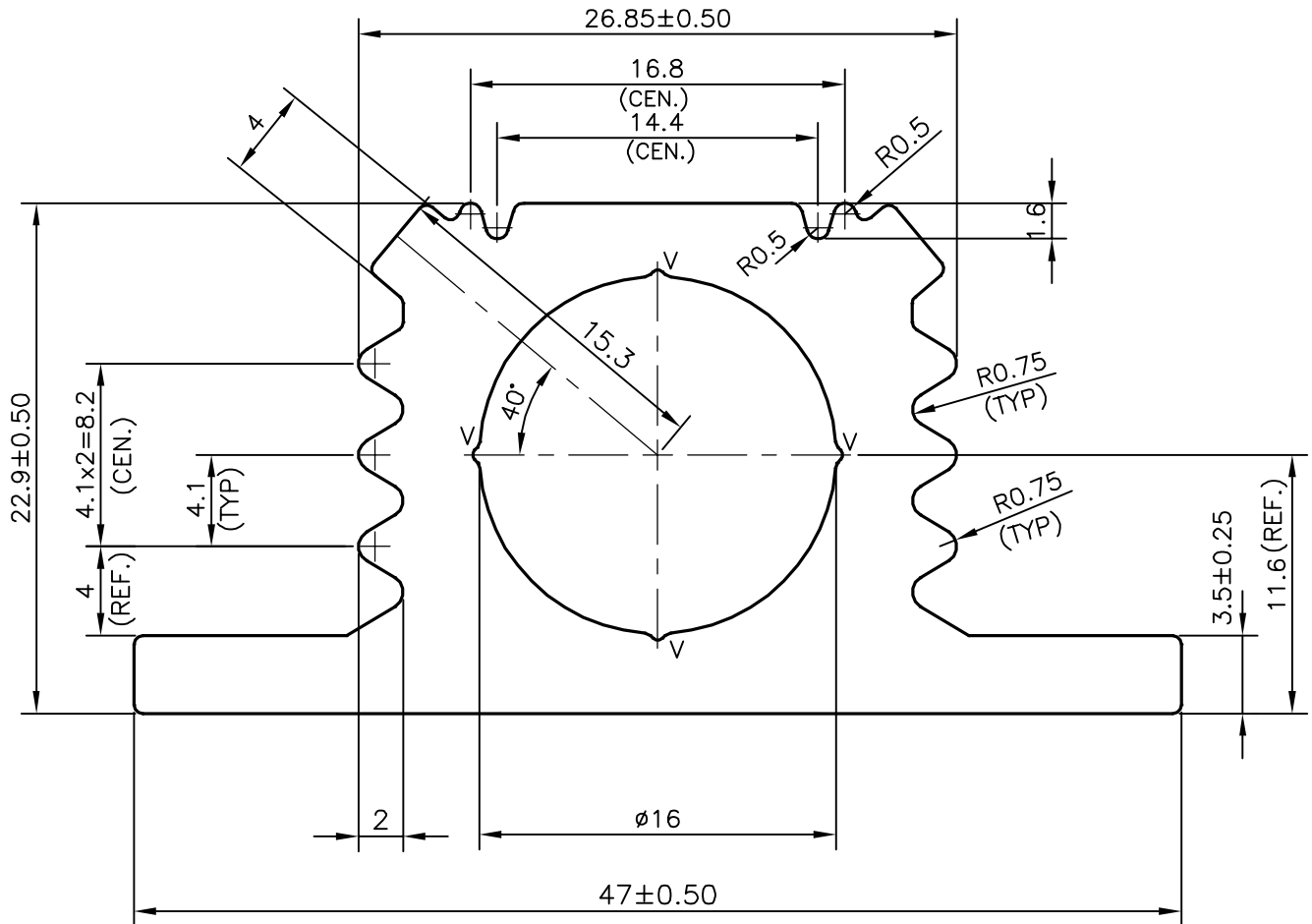
P-13094

S3900

25819



SCALE 1:1



V = 0.3x90° VEE-GROOVE (4 PLACES)

PLEASE CONFIRM ALL THE DIMENSIONS AND MATCH WITH YOUR MATCHING COMPONENT

TOLERANCES ON OVERALL WIDTHS & WIDTHS ACROSS FLATS OF BARS, & REGULAR SECTIONS

UPTO 6.40mm - ±0.20	UPTO 32.0mm - ±0.38	UPTO 120.0mm - ±0.85	1. STRAIGHTNESS=1.7mm/M 2. TWIST=1.7mm/M 3. ANGULARITY= ±2° 4. FLATNESS =0.3mm
UPTO 10.0mm - ±0.23	UPTO 50.0mm - ±0.46	UPTO 160.0mm - ±1.02	
UPTO 12.0mm - ±0.25	UPTO 60.0mm - ±0.53	UPTO 200.0mm - ±1.14	
UPTO 16.0mm - ±0.28	UPTO 80.0mm - ±0.69	UPTO 250.0mm - ±1.40	
UPTO 25.0mm - ±0.30	UPTO 100.0mm - ±0.75	UPTO 320.0mm - ±1.70	



SYMBOL OF QUALITY  
AN ISO 9001 COMPANY

**JINDAL ALUMINIUM LTD.**  
BANGALORE-560073 (INDIA)

	NAME	DATE
DRAWN	SRIYATHSA	11-10-2013
CHECKED		
APPROVED	S.S.GARG	18-10-2013

- ALL DIMENSIONS ARE IN mm.
- ROUND OFF ALL SHARP CORNERS WITH 0.40 mm.
- TOLERANCES WILL BE AS PER IS:6477-1983, UNLESS OTHERWISE SPECIFIED

SCALE	3:1
AREA mm <sup>2</sup>	432.917
PERIMETER mm.	154.688
WEIGHT kg/m	1.169

PARTY'S NAME K.S.INSTRUMENTS PVT.LTD., BANGALORE

DRAWING No. SECTION No.

PARTY'S DRAWING No. KHA100NEW

P-13094 -

ALLOY & TEMPER HE9 WP

S3900 S3900

DESCRIPTION MISC. SECTION

25819 25819