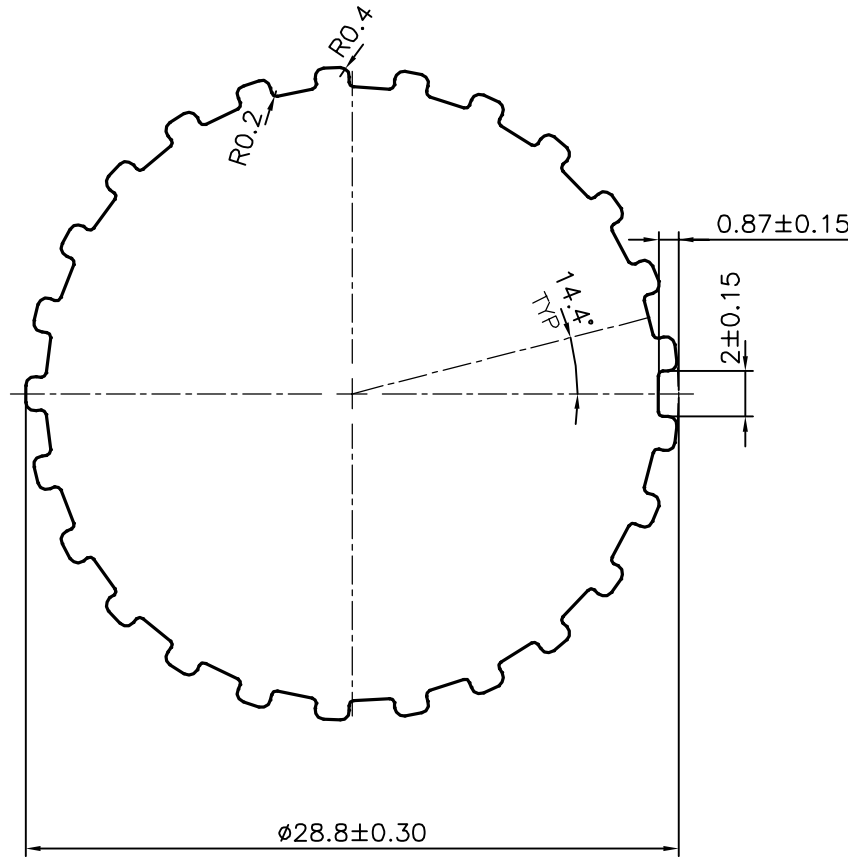
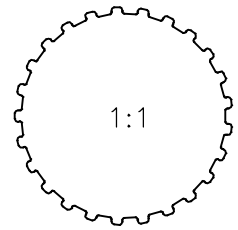


P-15122-1

S4673

25831



SYMBOL OF QUALITY
AN ISO 9001 COMPANY

JINDAL ALUMINIUM LTD.
BANGALORE-560073 (INDIA)

	NAME	DATE
DRAWN	J.P.KAUSHIK	09-09-2015
CHECKED		
APPROVED	S.S.GARG	19-09-2015
SCALE		3:1
AREA mm ²		606.29
PERIMETER mm.		118.665
WEIGHT kg/m		1.637
DRAWING No.	SECTION No.	
P-15122-1	-	
S4673	S4673	
25831	25831	

1. ALL DIMENSIONS ARE IN mm.
2. ROUND OFF ALL SHARP CORNERS WITH 0.40 mm.
3. TOLERANCES WILL BE AS PER IS:3965-1981, UNLESS OTHERWISE SPECIFIED

PARTY'S NAME	ALPHA DESIGN TECHNOLOGIES PVT. LTD., BANGALORE
PARTY'S DRAWING No.	2000 5648 REV.No. A.01
ALLOY & TEMPER	6005 T6
DESCRIPTION	MISC. SECTION