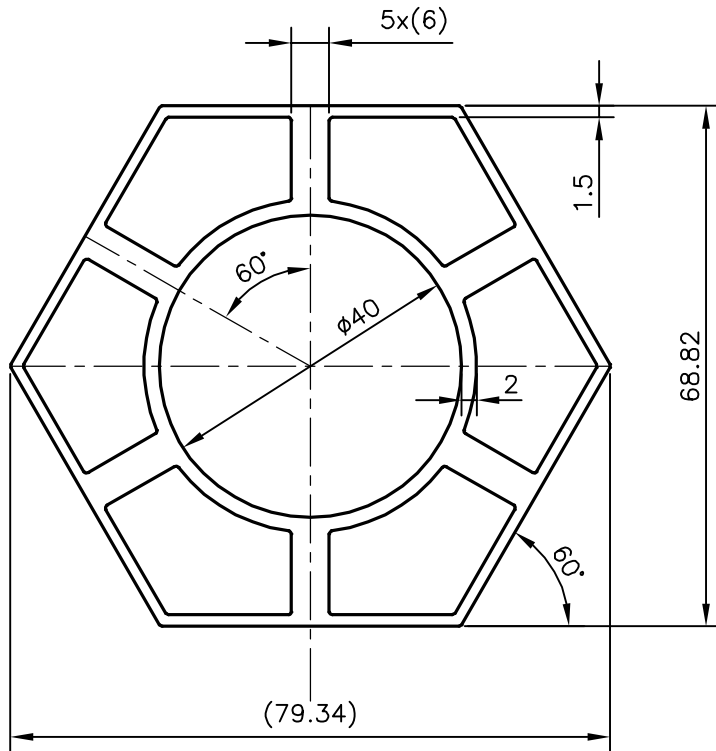



P-15835
S4939
25836



 SYMBOL OF QUALITY AN ISO 9001 COMPANY	JINDAL ALUMINIUM LTD. BANGALORE-560073 (INDIA)	NAME		DATE	
		DRAWN	J.P.KAUSHIK	06-05-2016	
1. ALL DIMENSIONS ARE IN mm. 2. ROUND OFF ALL SHARP CORNERS WITH 0.40 mm. 3. TOLERANCES WILL BE AS PER IS:6477-1983 UNLESS OTHERWISE SPECIFIED		CHECKED			
		APPROVED	B. NATARAJ	12-05-2016	
PARTY'S NAME		SUVEG ELECTRONICS, AHMEDABAD		SCALE	1:1
		ISSUE No.		AS PER DRAWING	AREA mm ²
ALLOY & TEMPER		6063 T6		PERIMETER mm.	238.141
		DESCRIPTION		HEAT SINK FOR LEDS	WEIGHT kg/m
		DRAWING No.		SECTION No.	
		P-15835		-	
		S4939		S4939	
		25836		25836	