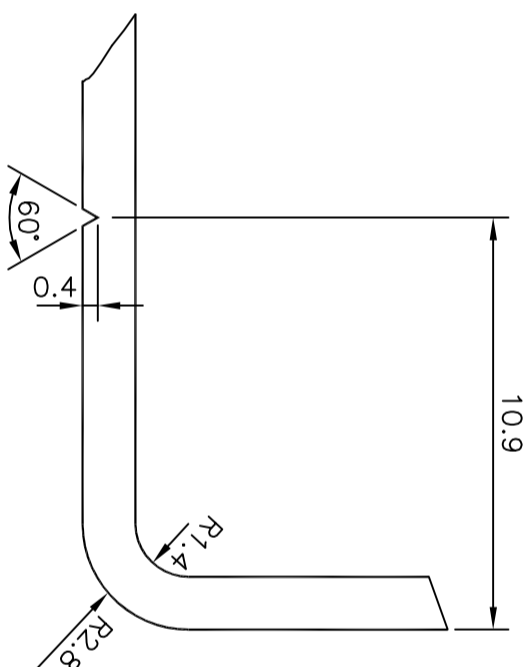
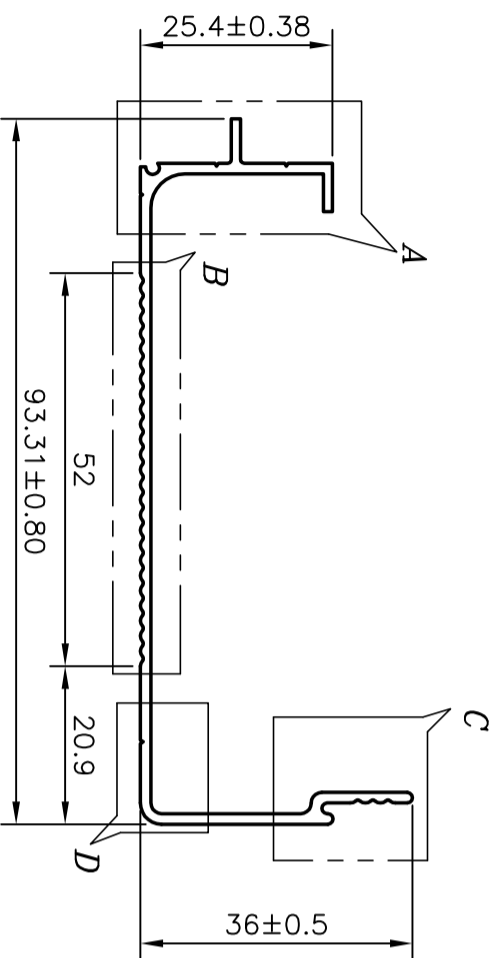
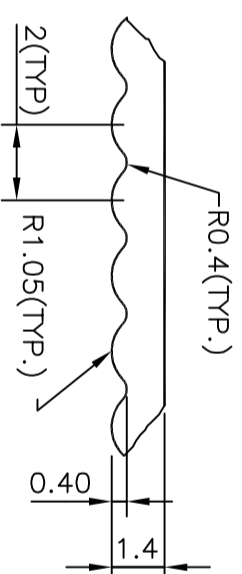


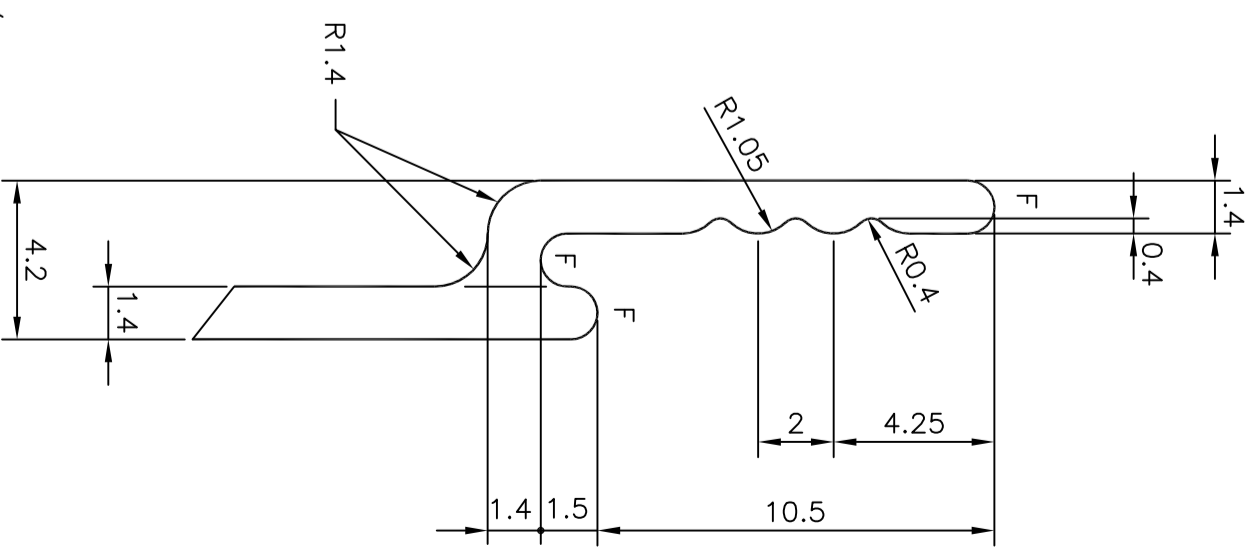
DETAIL AT "A"



DETAIL AT "D"



DETAIL AT "B"



DETAIL AT "C"

R = 0.50 RADIUS(2)
F = FULL RADIUS(3)
FLATNESS: - ±0.79
STRAIGHTNESS: - 1.7 mm./M
TWIST: - 1.7 mm./M
ANGULARITY: - ±2°

JINDAL ALUMINIUM LTD.
BANGALORE-560073

1. ALL DIMENSIONS ARE IN mm.
2. ROUND OFF ALL SHARP CORNERS WITH 0.4 mm.
3. TOLERANCES WILL BE AS PER IS: 3965-1981 ,UNLESS OTHERWISE SPECIFIED

PARTY'S NAME	KOTAK URJA PRIVATE LTD.,	NAME		DATE	
PARTY'S DRAWING No.	K005020	DRAWN	R.D.Sharma	28-12-97	
ALLOY & TEMPER	HE9 P	CHECKED			
LENGTH	2085 mm.±3.0 mm.	APPROVED			
DESCRIPTION	COLLECTOR FRAME	SCALE	1:1 & 5:1		
		WEIGHT kg/m	0.578		
		SECTION No.	26210		
		DRAWING No.	26210		