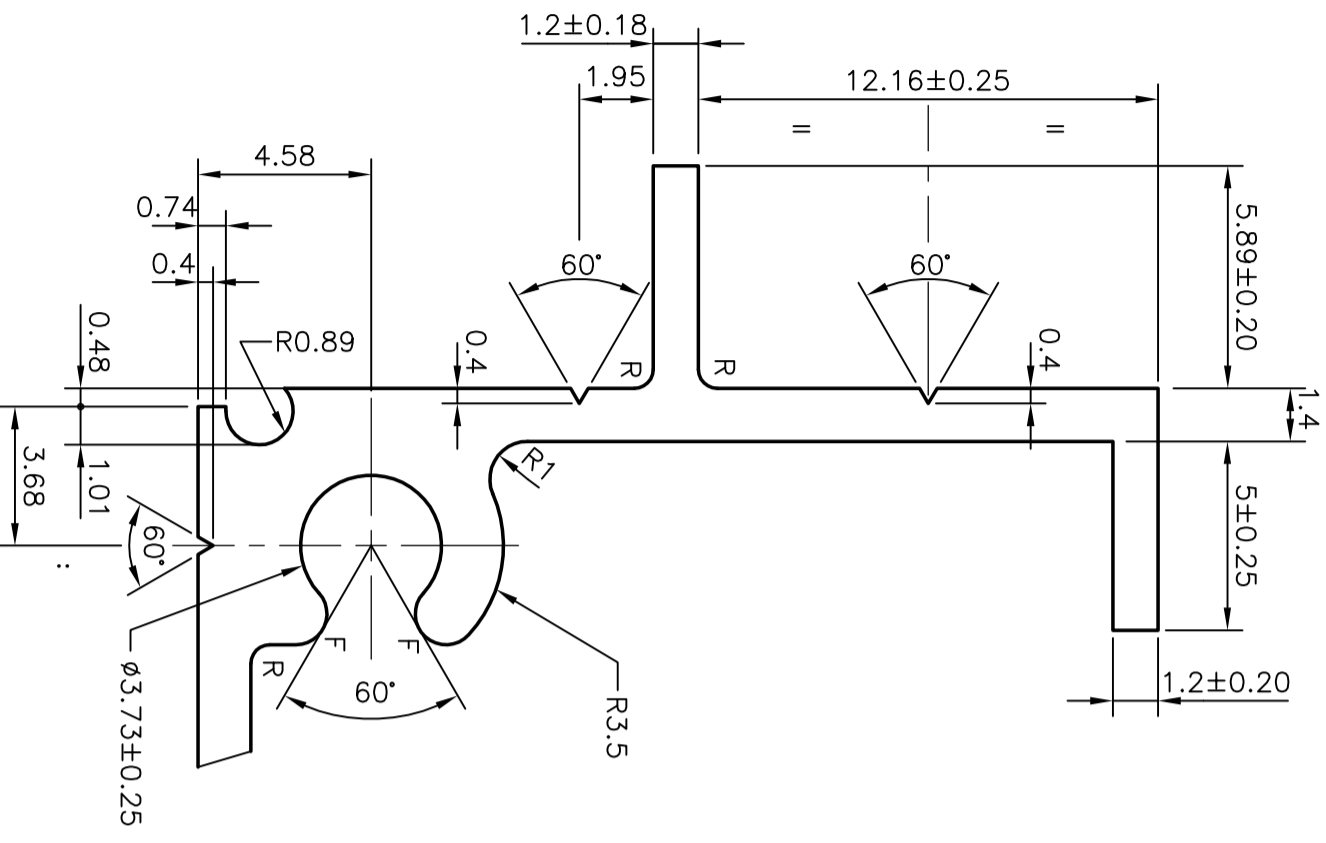
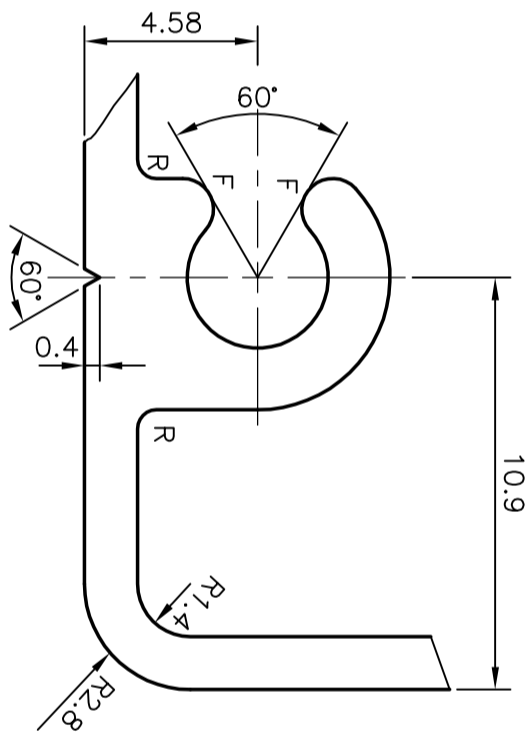
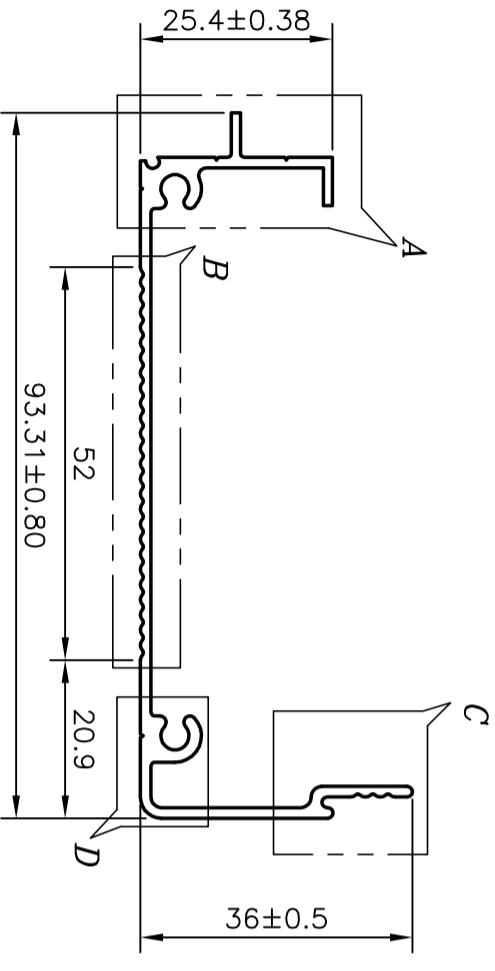


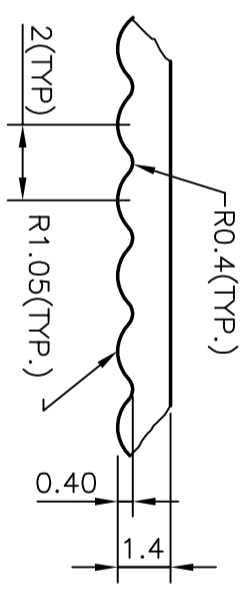
S199
7845
26211



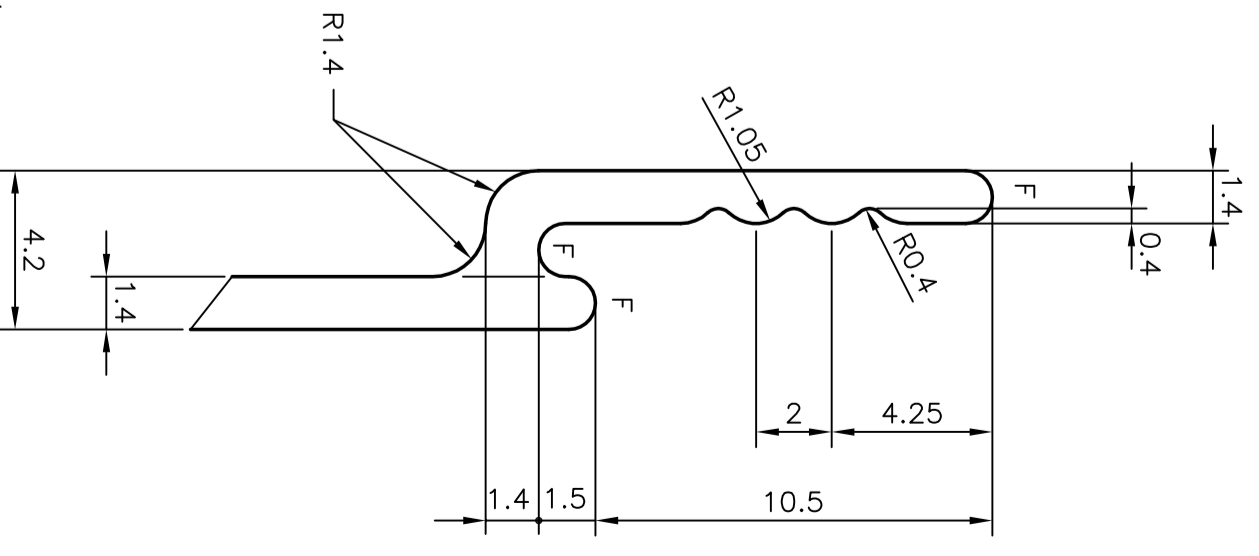
DETAIL AT "A"



DETAIL AT "D"



DETAIL AT "B"



DETAIL AT "C"

R = 0.50 RADIUS(5)
F = FULL RADIUS(7)
FLATNESS:- ±0.79
STRAIGHTNESS:- 1.7 mm./M
TWIST:- 1.7 mm./M
ANGULARITY:- ±2°

<p align="center">JINDAL ALUMINIUM LTD. BANGALORE-560073</p>		NAME	DATE
		DRAWN	R.D.Sharma 28-12-97
		CHECKED	
<p>1. ALL DIMENSIONS ARE IN mm. 2. ROUND OFF ALL SHARP CORNERS WITH 0.4 mm. 3. TOLERANCES WILL BE AS PER IS: 3965-1981 ,UNLESS OTHERWISE SPECIFIED</p>		APPROVED	
PARTY'S NAME	KOTAK URJA PRIVATE LTD.,	SCALE	1:1 & 5:1
PARTY'S DRAWING No.	K005019	WEIGHT kg/m	0.688
ALLOY & TEMPER	HE9 P	SECTION No.	26211
LENGTH	1075 mm.±3.0 mm.	DRAWING No.	26211
DESCRIPTION	COLLECTOR FRAME		