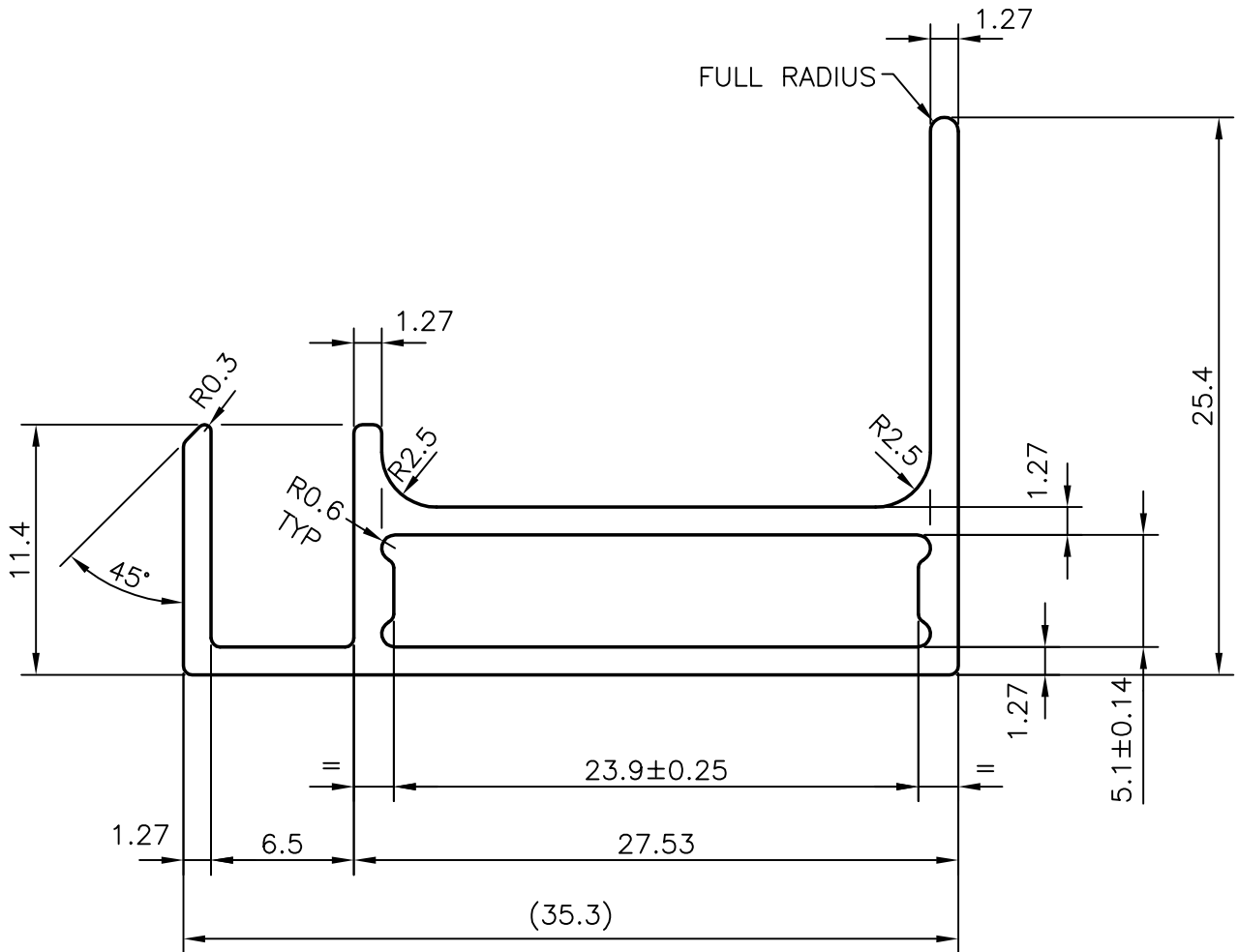
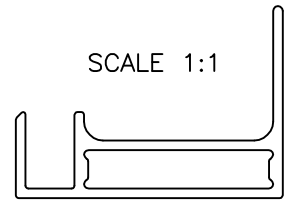


P-9389

S2220

26259

SCALE 1:1



SYMBOL OF QUALITY
AN ISO 9001 COMPANY

JINDAL ALUMINIUM LTD.
BANGALORE-560073 (INDIA)

	NAME	DATE
DRAWN	RAGHAVENDRA	09-07-2009
CHECKED		
APPROVED		

1. ALL DIMENSIONS ARE IN mm.
2. ROUND OFF ALL SHARP CORNERS WITH 0.40 mm.
3. TOLERANCES WILL BE AS PER IS:6477-1983 UNLESS OTHERWISE SPECIFIED

SCALE	3:1
AREA mm ²	138.508
PERIMETER mm.	144.805
WEIGHT kg/m	0.374

PARTY'S NAME	VIKRAM SOLAR PVT. LTD., KOLKATA
PARTY'S DRAWING No.	083-0123 (REV. A)
ALLOY & TEMPER	HE9 WP
DESCRIPTION	SOLAR SECTION-PV FRAME 4mm. GLASS

DRAWING No.	SECTION No.
P-9389	-
S2220	S2220
26259	26259