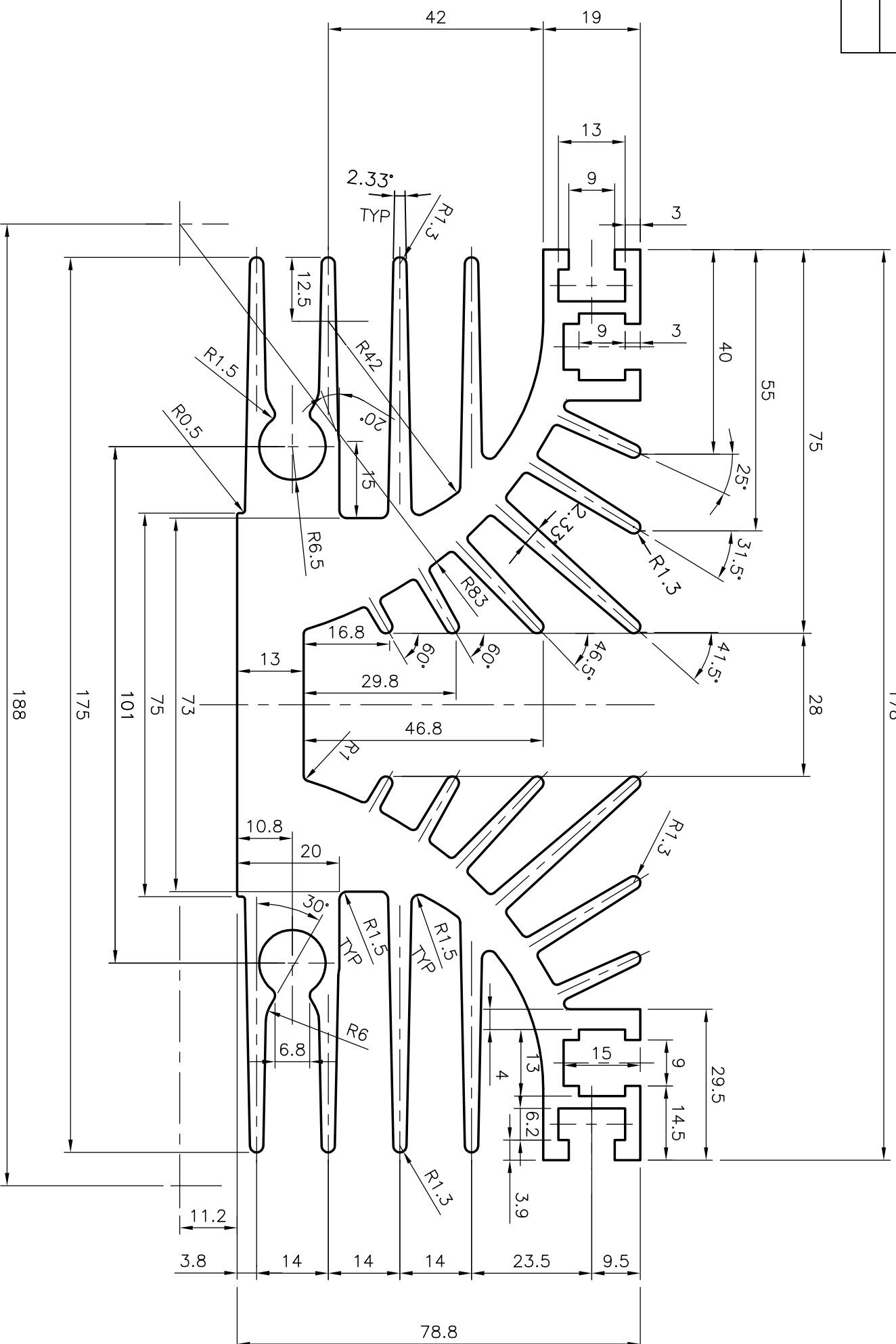


7525

26309

+1.0
178-0.0

SYMBOL OF QUALITY
AN ISO 9001 COMPANY

JINDAL ALUMINIUM LTD.
BANGALORE-560073 (INDIA)

1. ALL DIMENSIONS ARE IN mm.
2. ROUND OFF ALL SHARP CORNERS WITH 0.40 mm.
3. TOLERANCES WILL BE AS PER IS:3965-1981 UNLESS OTHERWISE SPECIFIED

PARTY'S NAME	-	NAME	J.P. KAUSHIK	DATE	19-10-2010
PARTY'S DRAWING No.	-	CHECKED			
ALLOY & TEMPER	HE9 WP	APPROVED			
DESCRIPTION	HEAT SINK SECTION	SCALE		1:1	
		AREA mm ²		5160.136	
		PERIMETER mm.		1871.822	
		WEIGHT kg/m		13.932	
		DRAWING No.	7525	SECTION No.	7525
			26309		26309