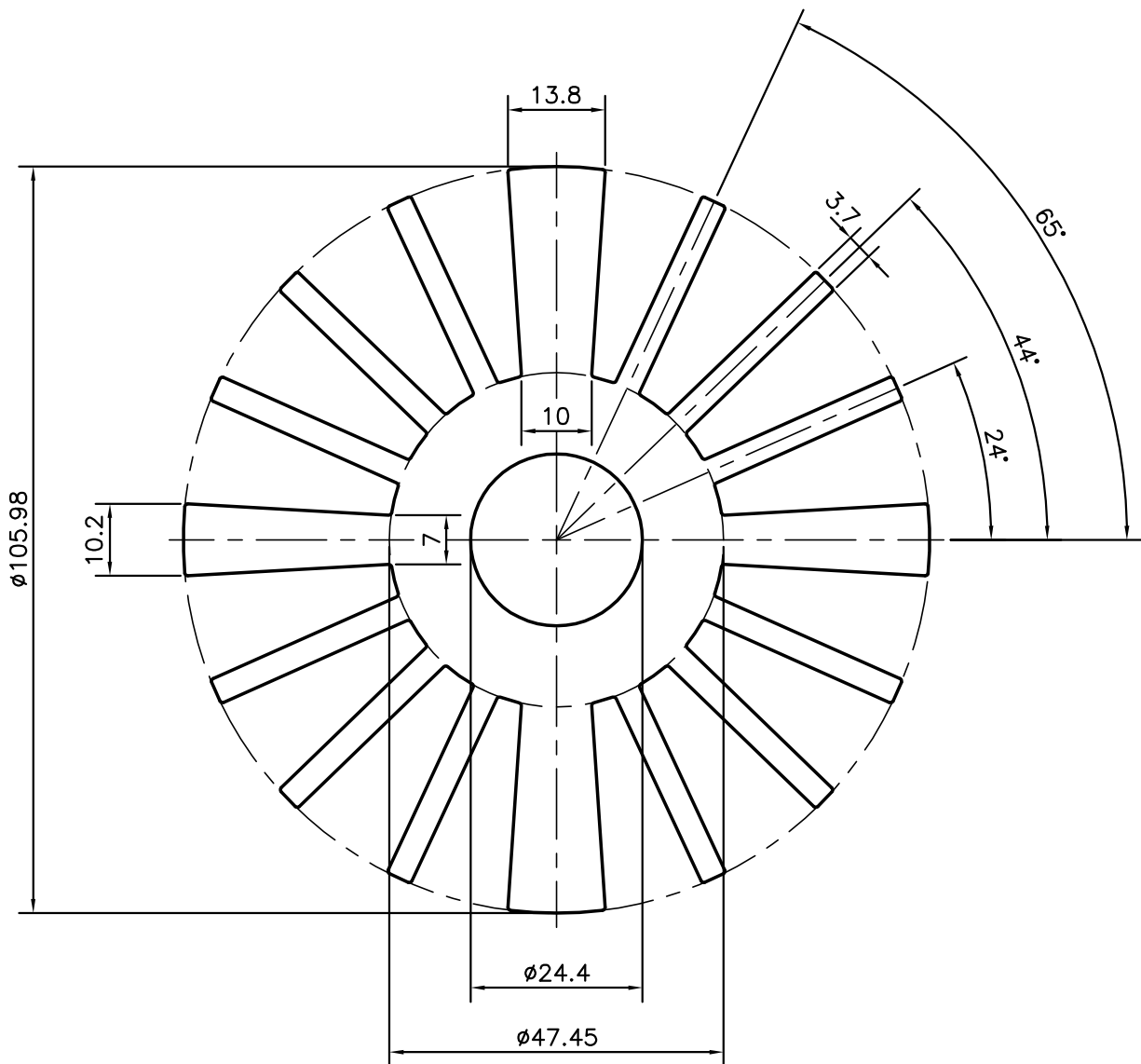


P-10371

S2794

26500



SYMBOL OF QUALITY  
AN ISO 9001 COMPANY

**JINDAL ALUMINIUM LTD.**  
BANGALORE-560073 (INDIA)

	NAME	DATE
DRAWN	J.P.KAUSHIK	10-09-2010
CHECKED		
APPROVED	J.N.RAI	08-12-2010
SCALE		1:1
AREA mm <sup>2</sup>		3804.893
PERIMETER mm.		1092.063
WEIGHT kg/m		10.273
DRAWING No.	SECTION No.	
P-10371	-	
S2794	S2794	
26500	26500	

1. ALL DIMENSIONS ARE IN mm.
2. ROUND OFF ALL SHARP CORNERS WITH 0.40 mm.
3. TOLERANCES WILL BE AS PER IS:6477-1983 UNLESS OTHERWISE SPECIFIED

PARTY'S NAME	P.M. INDUSTRIES, BANGALORE
PARTY'S DRAWING No.	AS PER DRAWING
ALLOY & TEMPER	HE9 WP
DESCRIPTION	HEAT SINK SECTION