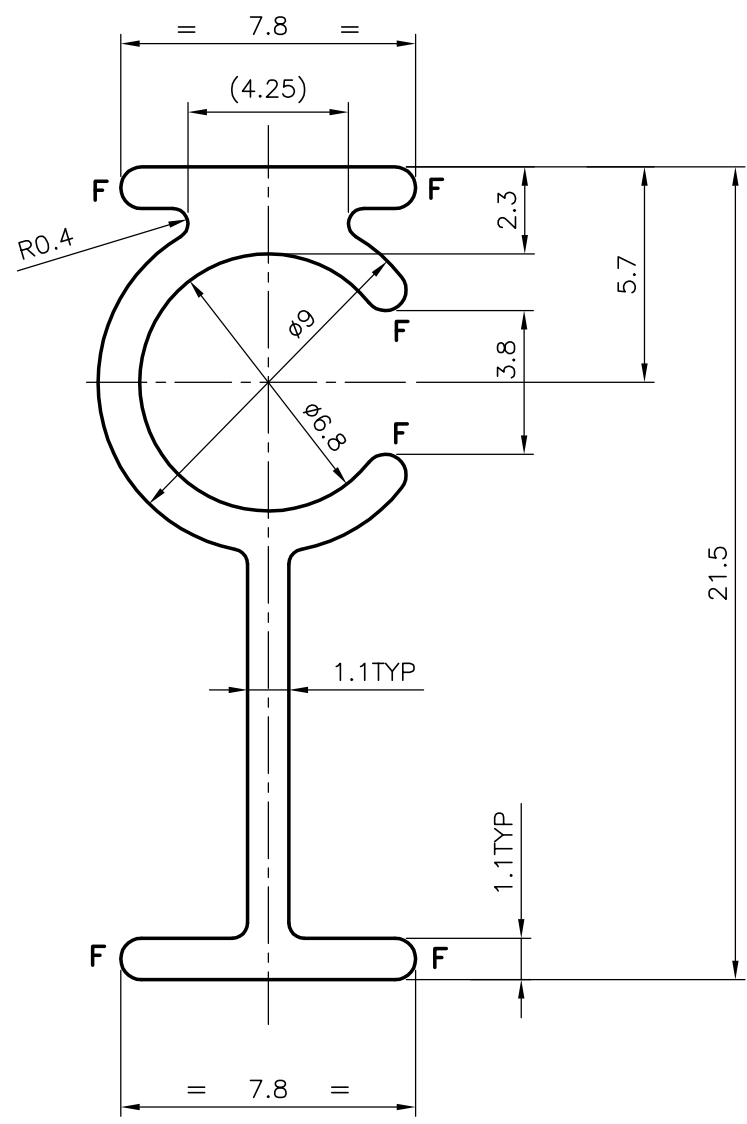
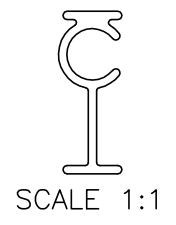



P-3530  
 S774  
 7146  
 26529



GENERAL WALL THICKNESS = 1.1mm  
 F = FULL RADII (6 PLACES)

 SYMBOL OF QUALITY AN ISO 9002 COMPANY	<b>JINDAL ALUMINIUM LTD.</b> BANGALORE-560073 (INDIA)		NAME	DATE
		DRAWN	RAGHAVENDRA	13-09-01
		CHECKED		
1. ALL DIMENSIONS ARE IN mm. 2. ROUND OFF ALL SHARP CORNERS WITH 0.40 mm. 3. TOLERANCES WILL BE AS PER IS: 3965-1981 UNLESS OTHERWISE SPECIFIED		APPROVED		
PARTY'S NAME	BASKAR INDUSTRIES ,. CHENNAI	SCALE	5:1 & 1:1	
PARTY'S DRAWING No.	AS PER SAMPLE	WEIGHT kg/m	0.139	
ALLOY & TEMPER	HE9 WP	PERIMETER	86.08mm	
DESCRIPTION	-	SECTION No.	26529	
		DRAWING No.	26529	