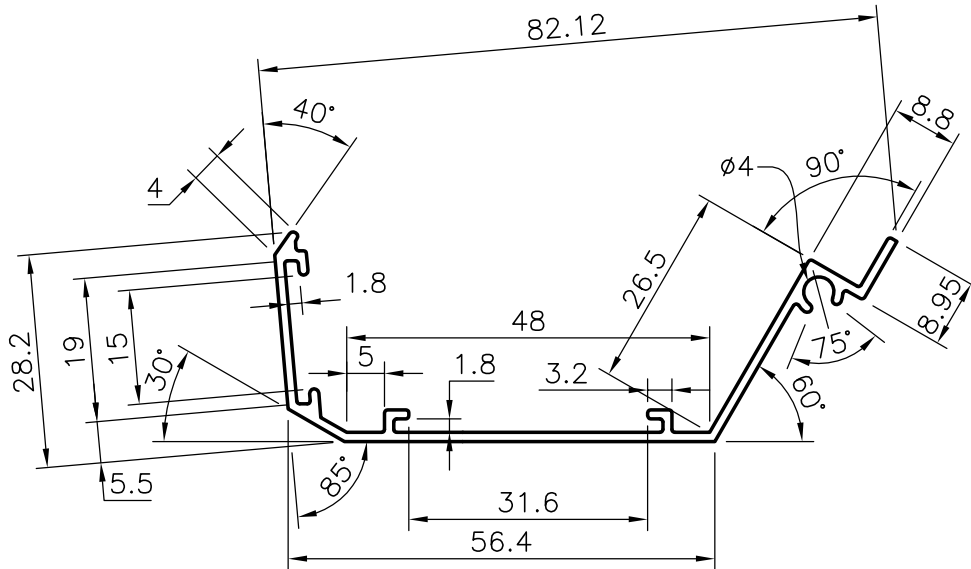


P-3439-2

S866

7160

26532



GENERAL WALL THICKNESS 1.2mm



SYMBOL OF QUALITY
AN ISO 9002 COMPANY

JINDAL ALUMINIUM LTD.
BANGALORE-560073 (INDIA)

	NAME	DATE
DRAWN	RAGHAVENDRA	11-01-02
CHECKED		
APPROVED		

1. ALL DIMENSIONS ARE IN mm.
2. ROUND OFF ALL SHARP CORNERS WITH 0.40 mm.
3. TOLERANCES WILL BE AS PER IS 3965-1981 UNLESS OTHERWISE SPECIFIED

SCALE	1:1
AREA mm ²	177.42
PERIMETER	281.31mm

PARTY'S NAME	AIR MASTER EQUIPMENTS INDIA (P) LTD ., BANGALORE	WEIGHT kg/m	0.488
PARTY'S DRAWING No.	AS PER DRAWING	SECTION No.	26532
ALLOY & TEMPER	HE9 WP	DRAWING No.	26532
DESCRIPTION	AIR GRILL SECTION		