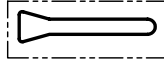
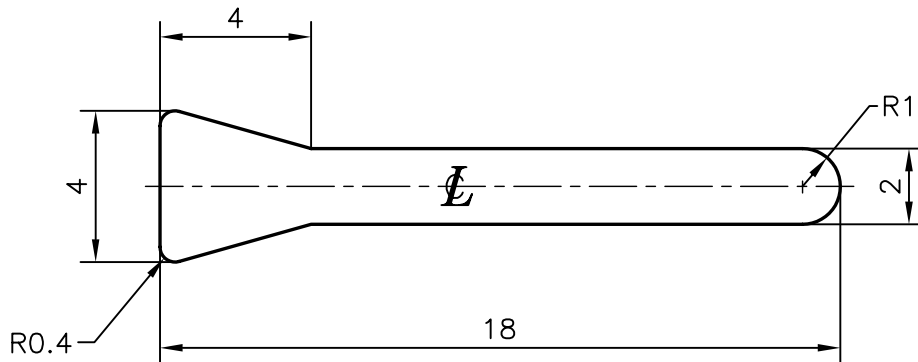


7810

26538



1:1



ALL SURFACES EXPOSED

JINDAL ALUMINIUM LTD.

BANGALORE-560073

NAME

DATE

DRAWN

R.D.Sharma

28-02-96

CHECKED

APPROVED

1. ALL DIMENSIONS ARE IN mm.
 2. ROUND OFF ALL SHARP CORNERS WITH 0.4 mm.
 3. TOLERANCES WILL BE AS PER IS: 3965-1981 ,UNLESS OTHERWISE SPECIFIED

PARTY'S NAME

BETA INDUSTRIAL EST.,DUBAI

SCALE

1:1 & 5:1

PARTY'S DRAWING No.

AS PER SKETCH

WEIGHT kg/m

0.108

ALLOY & TEMPER

HE9 WP (6063 T6)

SECTION No.

26538

LENGTH

5850 mm.

DRAWING No.

DESCRIPTION

LINEAR GRILL BLADE

26538