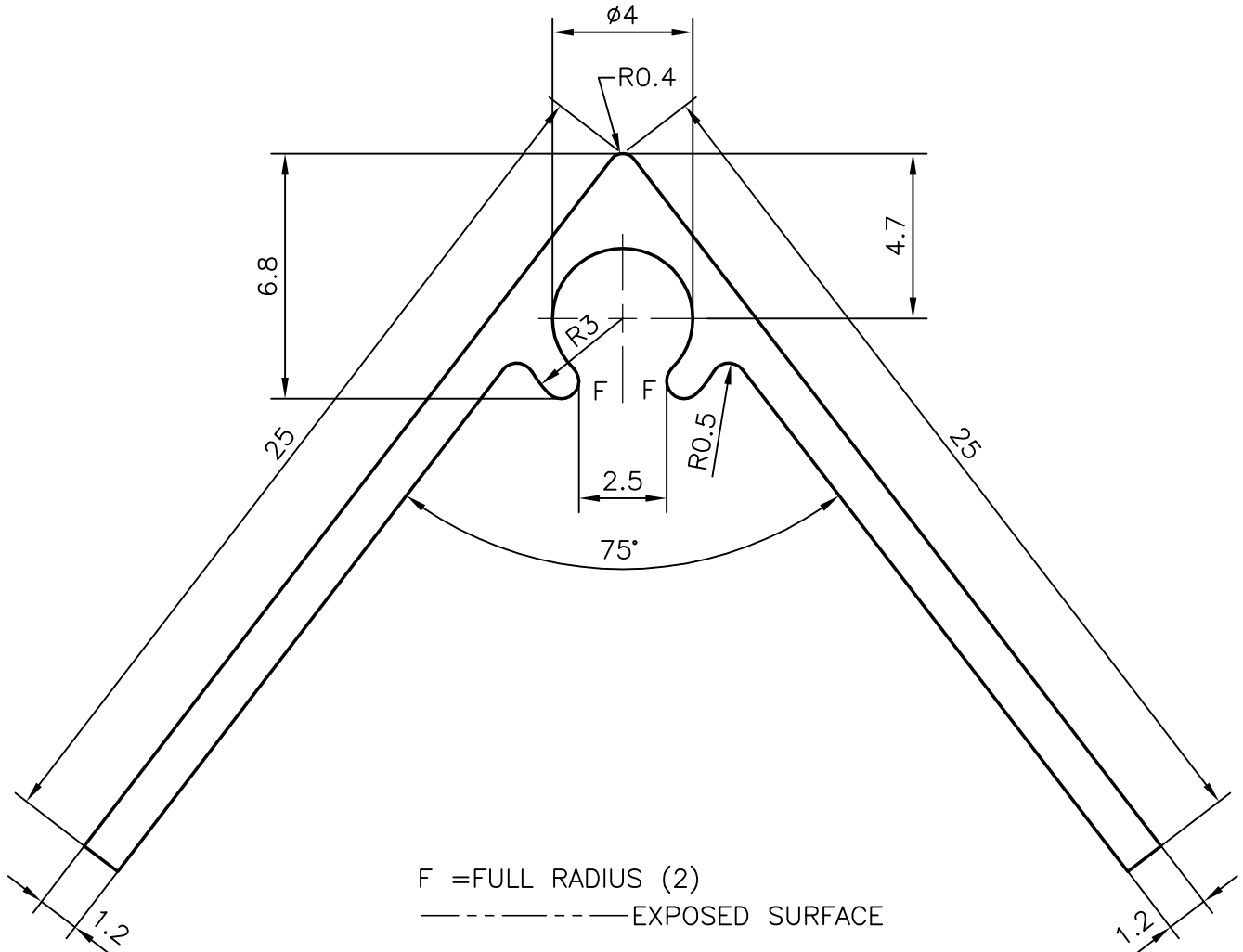


7862

26547



1:1



JINDAL ALUMINIUM LTD.

BANGALORE-560073

	NAME	DATE
DRAWN	R.D.Sharma	01-03-96
CHECKED		
APPROVED		

1. ALL DIMENSIONS ARE IN mm.
2. ROUND OFF ALL SHARP CORNERS WITH 0.4 mm.
3. TOLERANCES WILL BE AS PER IS:9655-9651 UNLESS OTHERWISE SPECIFIED

PARTY'S NAME	BETA INDUSTRIAL EST.,DUBAI	SCALE	1:1 & 5:1
PARTY'S DRAWING No.	AS PER SKETCH	WEIGHT kg/m	0.172
ALLOY & TEMPER	HE9 WP (6063 T6)	SECTION No.	26547
LENGTH	5850 mm.	DRAWING No.	26547
DESCRIPTION	DOOR GRILL BLADE		