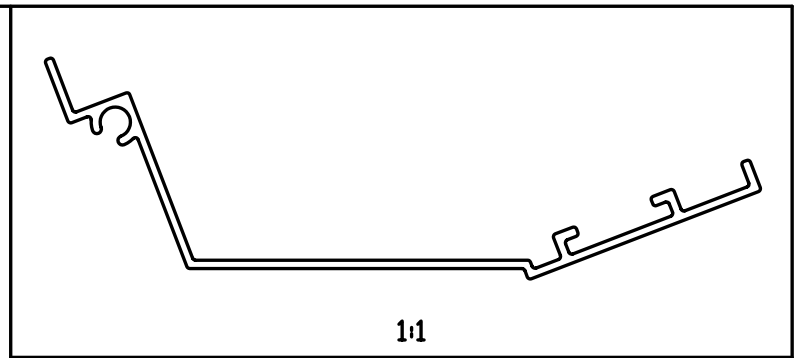
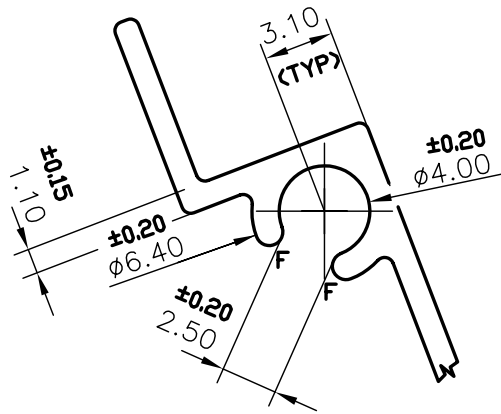
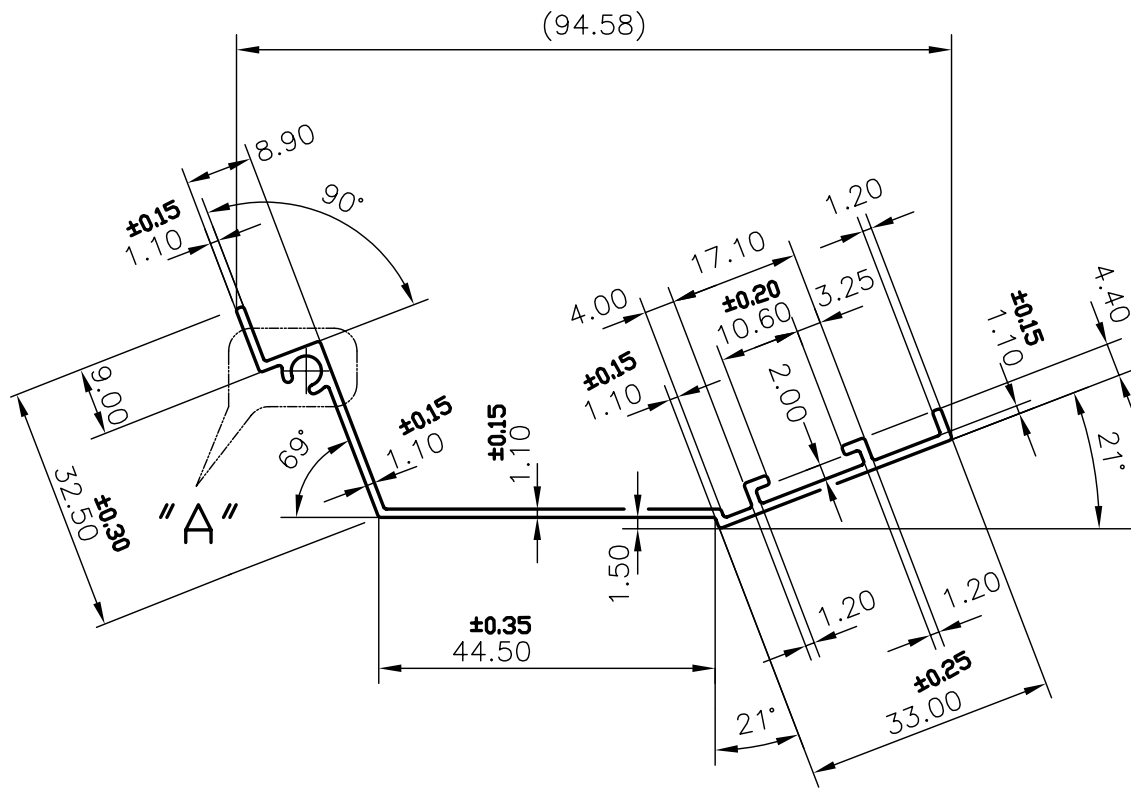



7869
26552



DETAILS "A"
SCALE 3:1



F = RADII FULL (2)

 SYMBOL OF QUALITY AN ISO 9002 COMPANY	JINDAL ALUMINIUM LTD. BANGALORE-560073 (INDIA)		NAME	DATE	
			DRAWN	P,KULKARNI	22-10-99
			CHECKED		
1. ALL DIMENSIONS ARE IN mm. 2. ROUND OFF ALL SHARP CORNERS WITH 0.40 mm. 3. TOLERANCES WILL BE AS PER B.S. 1474-1987 UNLESS OTHERWISE SPECIFIED			APPROVED		
PARTY'S NAME	AIR MASTER EQUIPMENTS EMIRATES, L.L.C.		SCALE	1:1	
PARTY'S DRAWING No.	AS PER SKETCH		WEIGHT kg/m	0.418	
ALLOY & TEMPER	6063-T6	LENGTH: 5850 mm	SECTION No.	26552	
DESCRIPTION	INDUSTRIAL MISCELLANEOUS SECTION		DRAWING No.	26552	