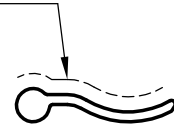


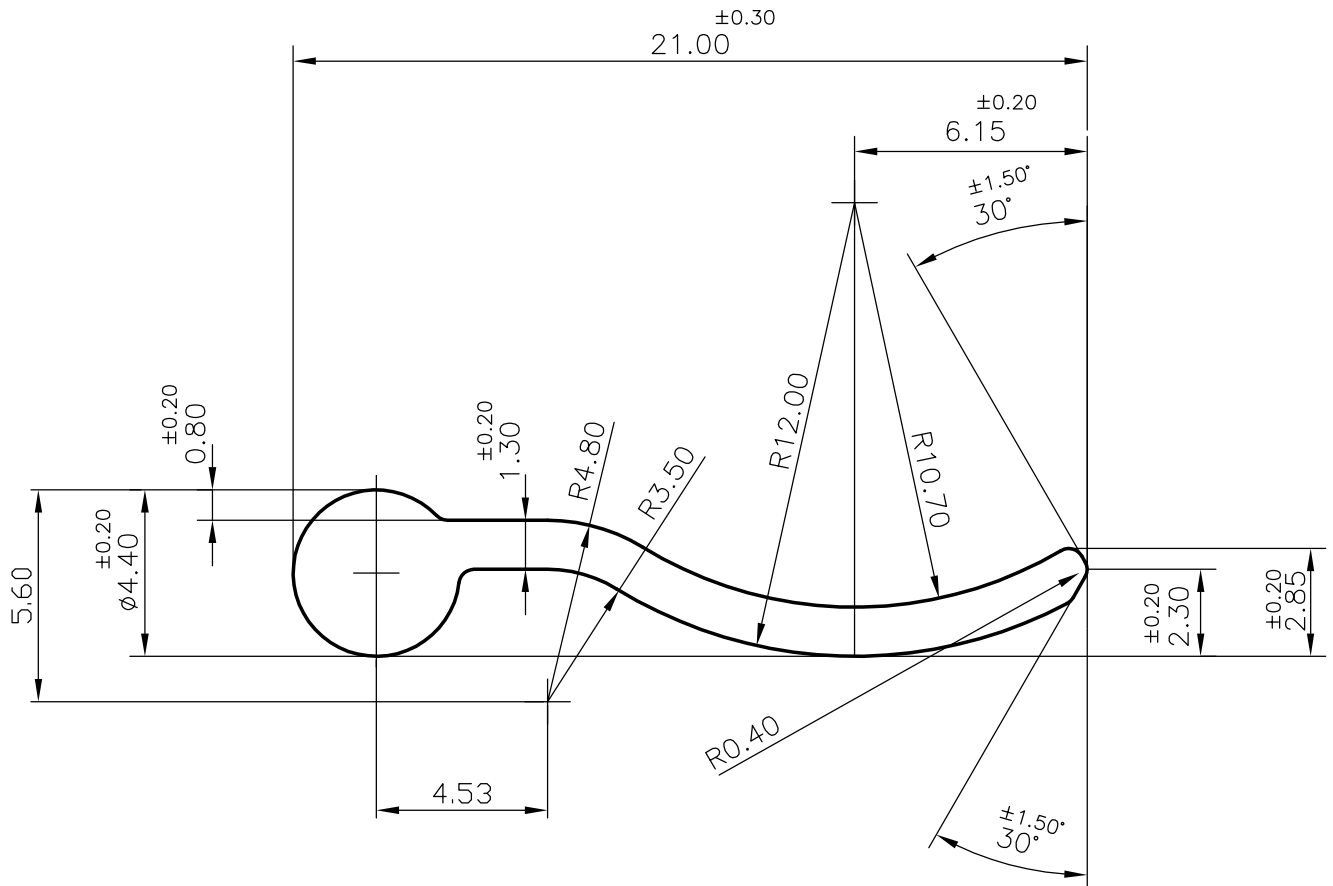
7883

26561

EXPOSED SURFACE



1:1



SYMBOL OF QUALITY  
AN ISO 9002 COMPANY

**JINDAL ALUMINIUM LTD.**  
BANGALORE-560073 (INDIA)

NAME

DATE

DRAWN

P,KULKARNI

21-12-99

CHECKED

APPROVED

SCALE

5:1

PARTY'S NAME

AIR MASTER EQUIPMENTS EMIRATES LLC.

WEIGHT kg/m

0.102

PARTY'S DRAWING No.

AS PER SKETCH (P-2537)

SECTION No.

26561

ALLOY &amp; TEMPER

6063 T6

LENGTH: 5850 mm

DRAWING No.

26561

DESCRIPTION

DEFLECTOR BLADE