

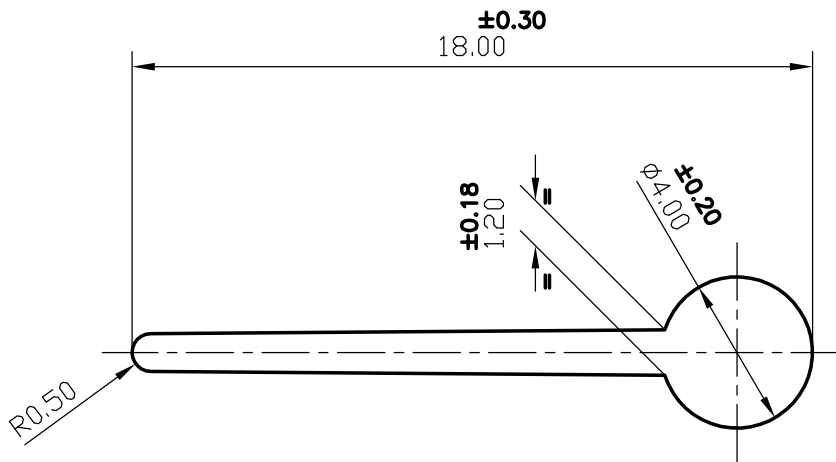
P-2482


7887

26565



1:1



 SYMBOL OF QUALITY AN ISO 9002 COMPANY	<b>JINDAL ALUMINIUM LTD.</b> BANGALORE-560073 (INDIA)		NAME	DATE
			DRAWN	P,KULKARNI
1. ALL DIMENSIONS ARE IN mm. 2. ROUND OFF ALL SHARP CORNERS WITH 0.40 mm. 3. TOLERANCES WILL BE AS PER BS:1474-1987 UNLESS OTHERWISE SPECIFIED			CHECKED	
			APPROVED	
			SCALE	5:1
PARTY'S NAME	ALUMINIUM TECH. ENGG. CO. UMM AL QUWAIN.		WEIGHT kg/m	0.075
PARTY'S DRAWING No.	AS PER SKETCH		SECTION No.	26565
ALLOY & TEMPER	6063-T6	LENGTH 5850 mm	DRAWING No.	
DESCRIPTION	GENERAL MISC SECTION		26565	