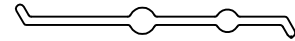
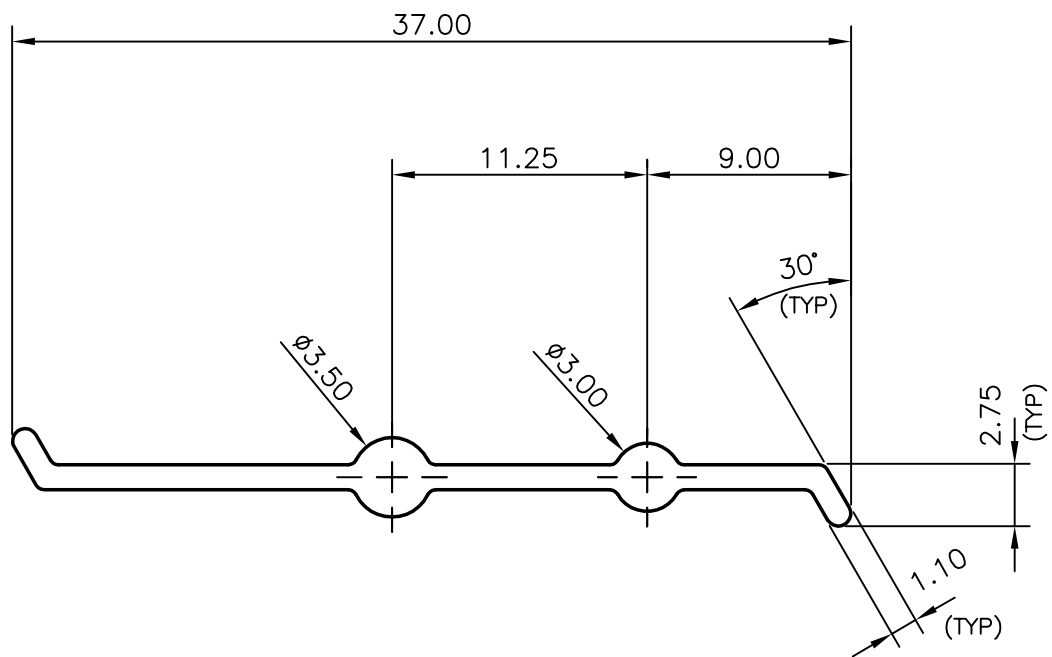


7890

26568



1:1



GENERAL WALL THICKNESS 1.10 mm

JINDAL ALUMINIUM LTD.**BANGALORE-560073**

NAME

DATE

DRAWN

P,KULKARNI

21-12-99

1. ALL DIMENSIONS ARE IN mm.
2. ROUND OFF ALL SHARP CORNERS WITH 0.4 mm.
3. TOLERANCES WILL BE AS PER BS:1474-1987 UNLESS OTHERWISE SPECIFIED

CHECKED

APPROVED

PARTY'S NAME

ALUMINIUM TECH ENGG CO,
UMM AL QUWAIN

SCALE

3:1

PARTY'S DRAWING No.

9

WEIGHT kg/m

0.141

ALLOY & TEMPER

6063 T6

SECTION No.

26568

LENGTH

5850 mm

DRAWING No.

DESCRIPTION

AIR GRILL SECTION

26568