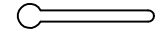
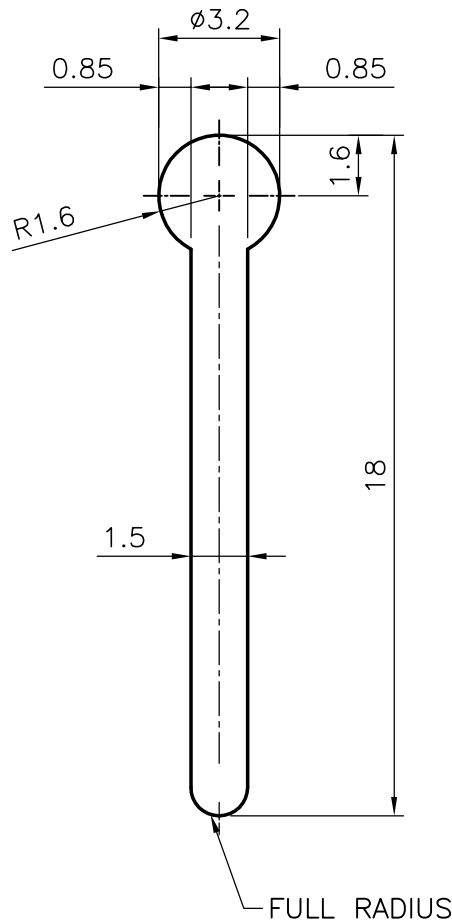



P-3367-1
7999
26620
-



SCALE 1:1



 SYMBOL OF QUALITY AN ISO 9002 COMPANY	JINDAL ALUMINIUM LTD. BANGALORE-560073 (INDIA)	NAME	DATE
		DRAWN	RAGHAVENDRA 05-02-02
		CHECKED	
1. ALL DIMENSIONS ARE IN mm. 2. ROUND OFF ALL SHARP CORNERS WITH 0.40 mm. 3. TOLERANCES WILL BE AS PER IS 3965-1981 UNLESS OTHERWISE SPECIFIED		APPROVED	
		SCALE	5:1 & 1:1
		AREA mm ²	30.092
PARTY'S NAME	DASCO DUCTING & SERVICING CO. ,. KUWAIT	PERIMETER	39.32mm
PARTY'S DRAWING No.	AS PER DRAWING (11639)	WEIGHT kg/m	0.081
ALLOY & TEMPER	6063 T6	SECTION No.	26620
DESCRIPTION	AIR GRILL SECTION	DRAWING No.	26620