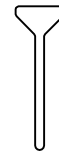
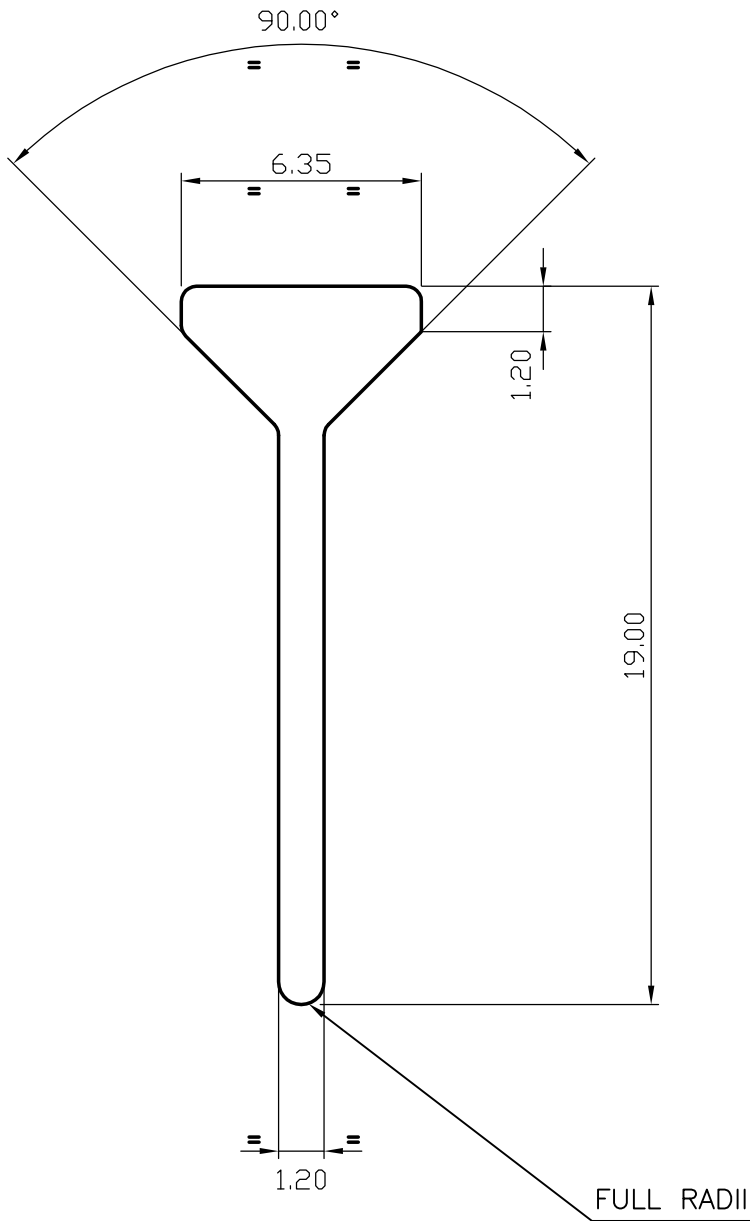



S485
9185
26644
-



1:1



 SYMBOL OF QUALITY AN ISO 9002 COMPANY	<b>JINDAL ALUMINIUM LTD.</b> <i>BANGALORE-560073 (INDIA)</i>	NAME	DATE
		DRAWN	P,KULKARNI 7-4-2000
1. ALL DIMENSIONS ARE IN mm. 2. ROUND OFF ALL SHARP CORNERS WITH 0.40 mm. 3. TOLERANCES WILL BE AS PER IS:3965-1981 UNLESS OTHERWISE SPECIFIED		CHECKED	
		APPROVED	
PARTY'S NAME	AIRCON AIR EQUIPMENTS (P) LTD., MUMBAI	SCALE	5:1
PARTY'S DRAWING No.	AS PER SKETCH	WEIGHT kg/m	0.096
ALLOY & TEMPER	HE9 WP	SECTION No.	26644
DESCRIPTION	PROFILE No EX 8291	DRAWING No.	26644