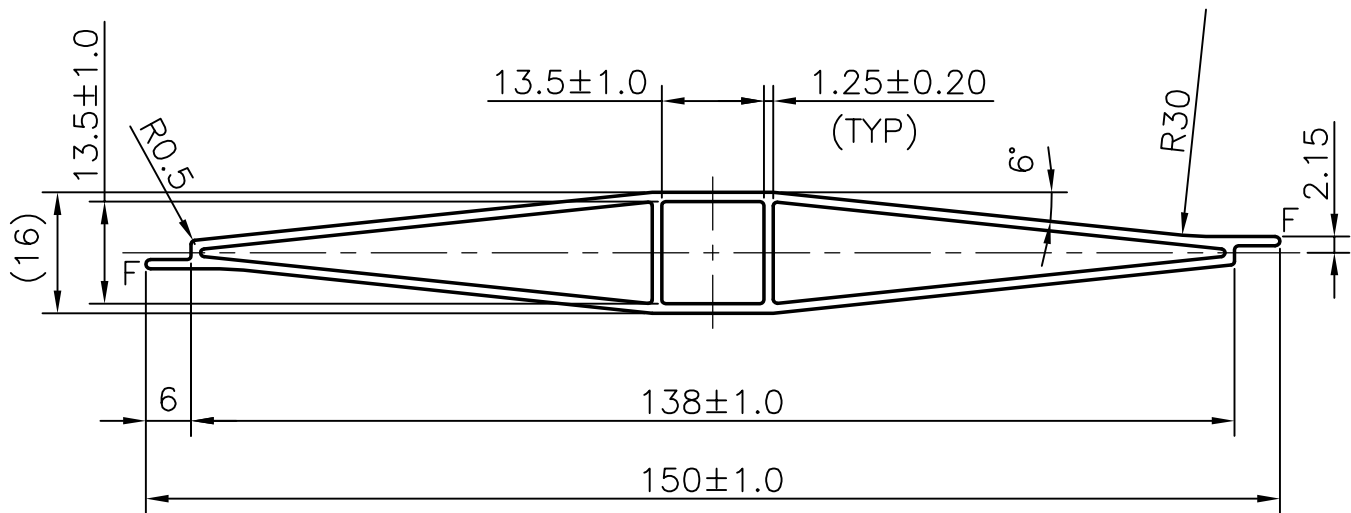


P-4198

9254

26665



SYMBOL OF QUALITY
AN ISO 9002 COMPANY

JINDAL ALUMINIUM LTD.
BANGALORE-560073 (INDIA)

	NAME	DATE
DRAWN	R.D.Sharma	22-04-03
CHECKED		
APPROVED		

1. ALL DIMENSIONS ARE IN mm.
2. ROUND OFF ALL SHARP CORNERS WITH 0.50 mm.
3. TOLERANCES WILL BE AS PER IS 6477-1983 UNLESS OTHERWISE SPECIFIED

SCALE	1:1
AREA mm ²	400.8
PERIMETER mm.	306.9
WEIGHT kg/m	1.082
SECTION No.	26665
DRAWING No.	26665

PARTY'S NAME AIRMASTER EQUIPMENTS EMIRATES, UAE

PARTY'S DRAWING No. AS PER DRAWING

ALLOY & TEMPER 6063 T6

DESCRIPTION AIR GRILL SECTION