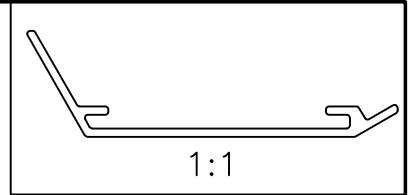


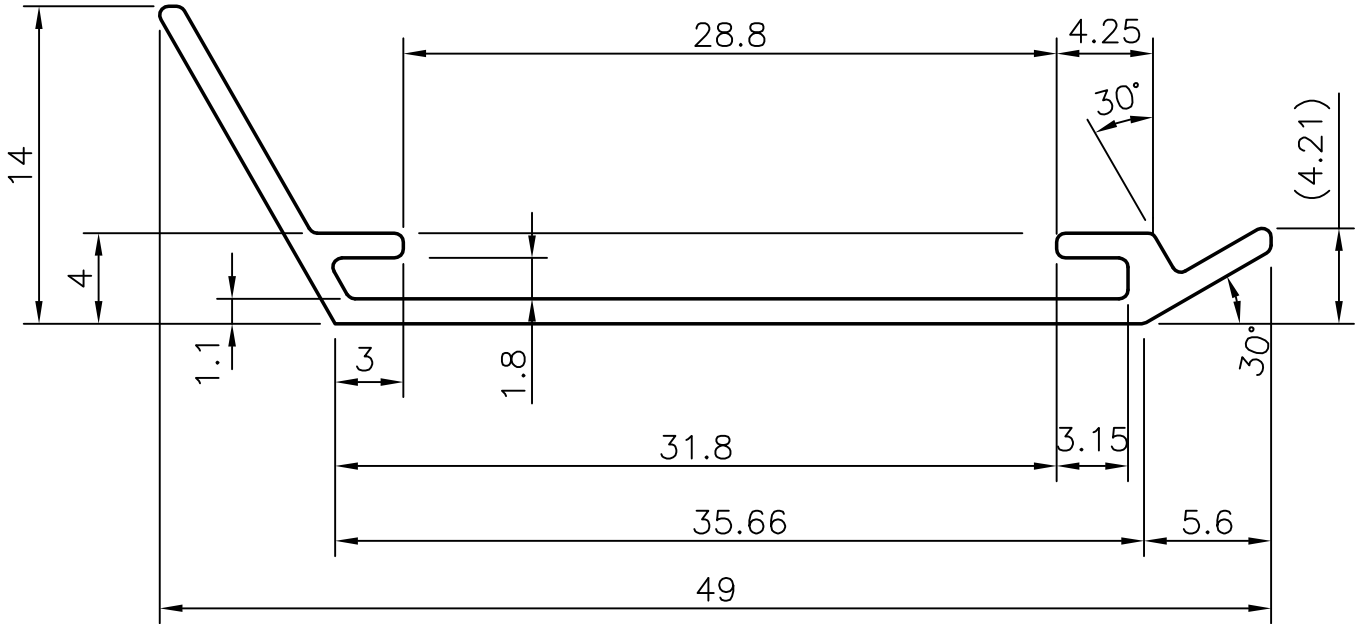
P-4138-1


9257

26668



1. GENERAL WALL THICKNESS:- 1.1 mm.



 SYMBOL OF QUALITY AN ISO 9002 COMPANY	JINDAL ALUMINIUM LTD. BANGALORE-560073 (INDIA)	NAME		DATE
		DRAWN	R.D.Sharma	21-03-03
		CHECKED		
1. ALL DIMENSIONS ARE IN mm. 2. ROUND OFF ALL SHARP CORNERS WITH 0.40 mm. 3. TOLERANCES WILL BE AS PER IS: 3965-1981 UNLESS OTHERWISE SPECIFIED		APPROVED		
		SCALE	3:1	
		AREA mm ²	74.9	
PARTY'S NAME	THE CENTRAL INDUSTRIES & AIRCONDITIONING WORKS CO., KUWAIT	PERIMETER mm.	131.4	
PARTY'S DRAWING No.	AS PER DRAWING	WEIGHT kg/m	0.202	
ALLOY & TEMPER	6063 T6	SECTION No.	26668	
DESCRIPTION	AIR GRILL SECTION	DRAWING No.	26668	