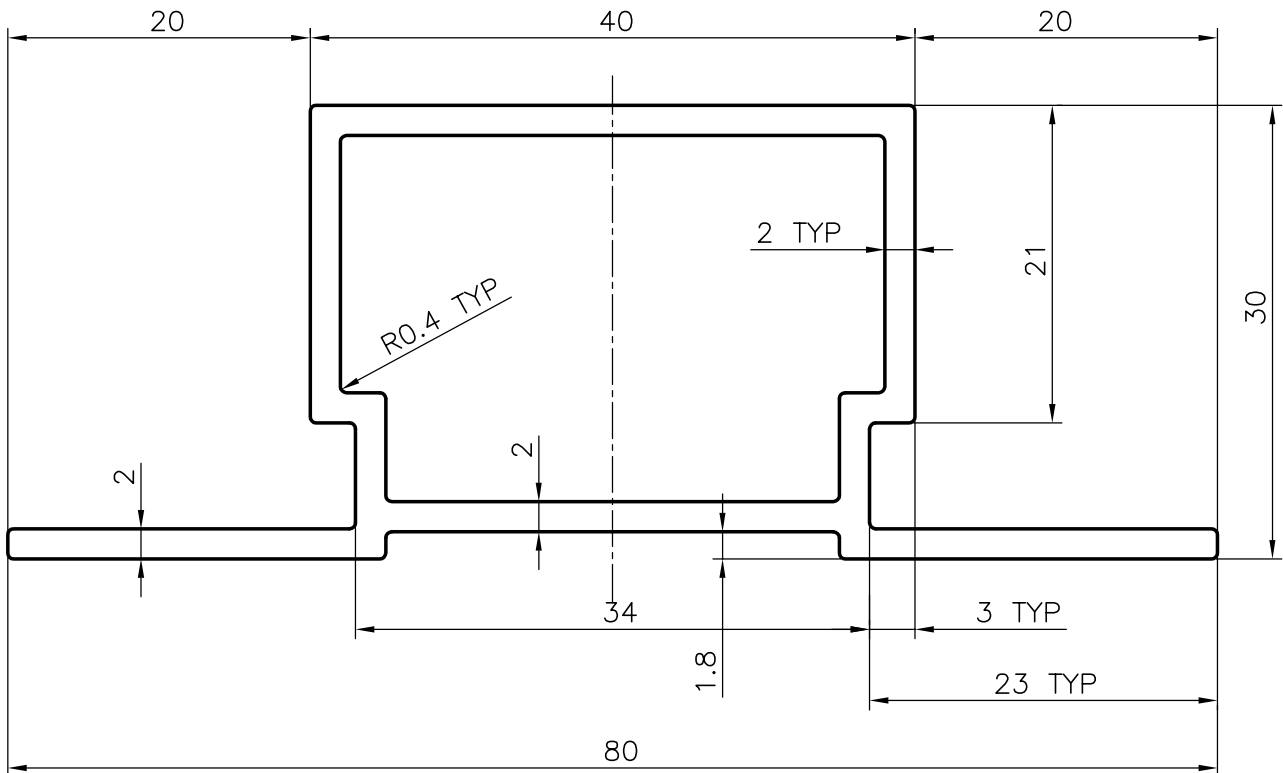
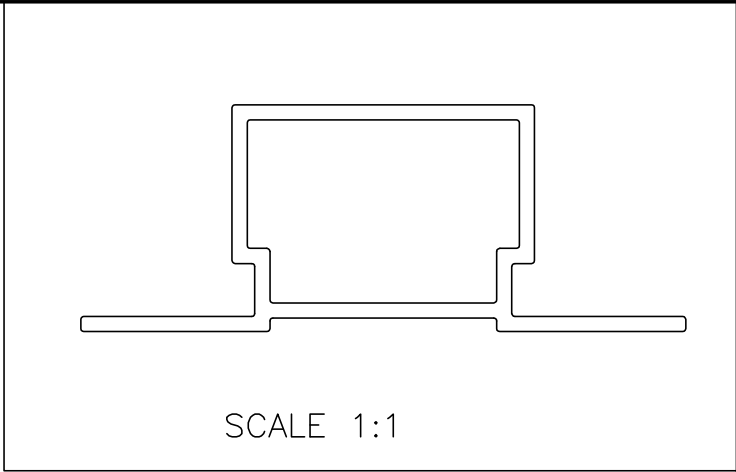



S602  
9266  
26673



 SYMBOL OF QUALITY AN ISO 9002 COMPANY	<b>JINDAL ALUMINIUM LTD.</b> BANGALORE-560073 (INDIA)		NAME	DATE	
		DRAWN	RANGASWAMY	13-12-2K	
1. ALL DIMENSIONS ARE IN mm. 2. ROUND OFF ALL SHARP CORNERS WITH 0.40 mm. 3. TOLERANCES WILL BE AS PER I.S. 6477-1983 UNLESS OTHERWISE SPECIFIED		CHECKED			
		APPROVED			
PARTY'S NAME		PATELS AIRTEMP (I) LTD., MEHSANA		SCALE	2:1 & 1:1
PARTY'S DRAWING No.		AS PER DRAWING (TYPE Z)		WEIGHT kg/m	0.961
ALLOY & TEMPER		HE9 WP		SECTION No.	26673
DESCRIPTION		MISC. HOLLOW		DRAWING No. 26673	