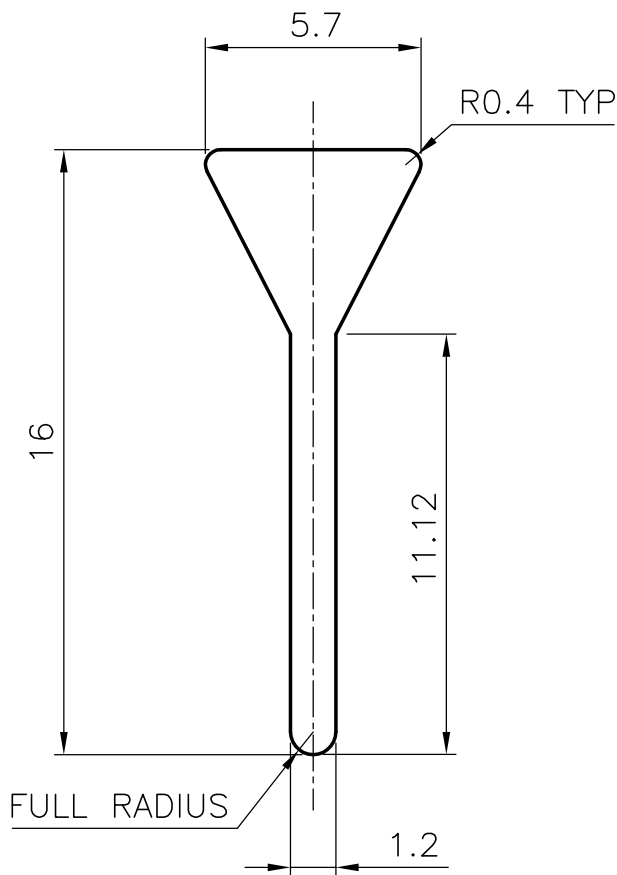
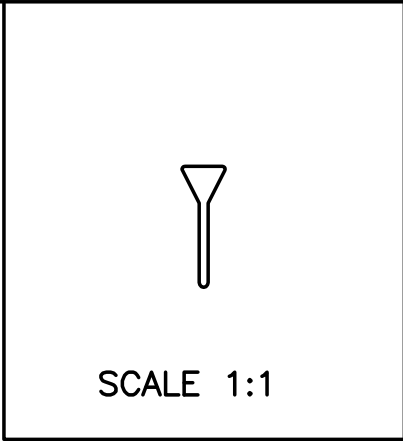



S665  
9277  
26676



 SYMBOL OF QUALITY AN ISO 9002 COMPANY	<b>JINDAL ALUMINIUM LTD.</b> BANGALORE-560073 (INDIA)		NAME	DATE	
		DRAWN	RANGASWAMY	23-04-01	
1. ALL DIMENSIONS ARE IN mm. 2. ROUND OFF ALL SHARP CORNERS WITH 0.40 mm. 3. TOLERANCES WILL BE AS PER I.S.3965-1981 UNLESS OTHERWISE SPECIFIED		CHECKED			
		APPROVED			
PARTY'S NAME		AJANTA ENGINEERING ., BANGALORE		SCALE	5:1 & 1:1
PARTY'S DRAWING No.		AS PER DRAWING (EX 7630)		WEIGHT kg/m	0.083
ALLOY & TEMPER		HE9 WP		SECTION No.	26676
DESCRIPTION		AIR GRILL SECTION		DRAWING No. 26676	