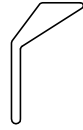


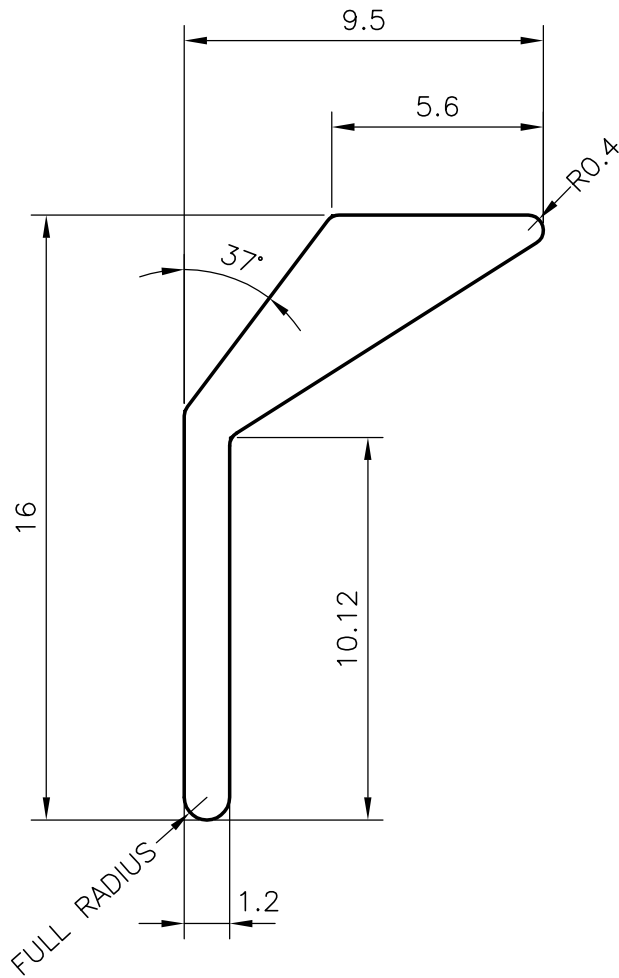
S666

9278

26677



SCALE 1:1



SYMBOL OF QUALITY
AN ISO 9002 COMPANY

JINDAL ALUMINIUM LTD.
BANGALORE-560073 (INDIA)

	NAME	DATE
DRAWN	RANGASWAMY	23-04-01
CHECKED		
APPROVED		

1. ALL DIMENSIONS ARE IN mm.
2. ROUND OFF ALL SHARP CORNERS WITH 0.40 mm.
3. TOLERANCES WILL BE AS PER I.S.3965-1981 UNLESS OTHERWISE SPECIFIED

SCALE	1:1 & 5:1
WEIGHT kg/m	0.097
SECTION No.	26677

PARTY'S NAME	AJANTA ENGINEERING ., BANGALORE
PARTY'S DRAWING No.	AS PER CUSTOMER MODIFICATION
ALLOY & TEMPER	HE9 WP
DESCRIPTION	AIR GRILL SECTION

DRAWING No.	26677
-------------	-------