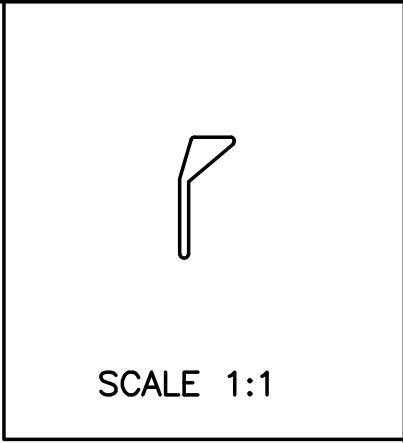
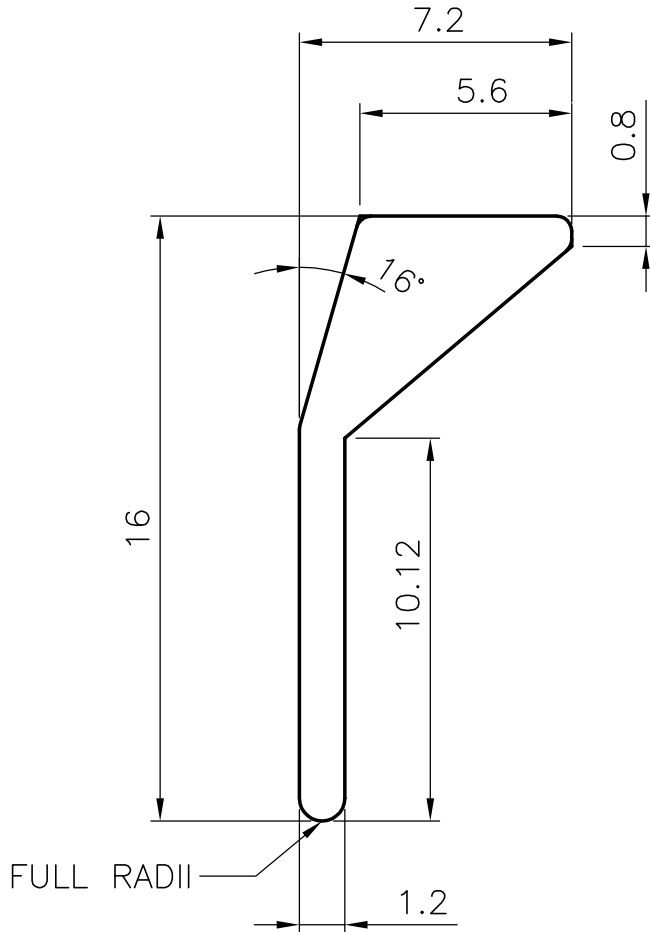



S667
9279
26678



SCALE 1:1



 SYMBOL OF QUALITY AN ISO 9002 COMPANY	JINDAL ALUMINIUM LTD. BANGALORE-560073 (INDIA)		NAME	DATE
		DRAWN	RANGASWAMY	23-04-01
1. ALL DIMENSIONS ARE IN mm. 2. ROUND OFF ALL SHARP CORNERS WITH 0.40 mm. 3. TOLERANCES WILL BE AS PER I.S.3965-1981 UNLESS OTHERWISE SPECIFIED		CHECKED		
		APPROVED		
		SCALE	1:1 & 5:1	
PARTY'S NAME	AJANTA SHEET METAL ., BANGALORE	WEIGHT kg/m	0.093	
PARTY'S DRAWING No.	AS PER CUSTOMER MODIFICATION	SECTION No.	26678	
ALLOY & TEMPER	HE9 WP	DRAWING No.		
DESCRIPTION	AIR GRILL SECTION	26678		