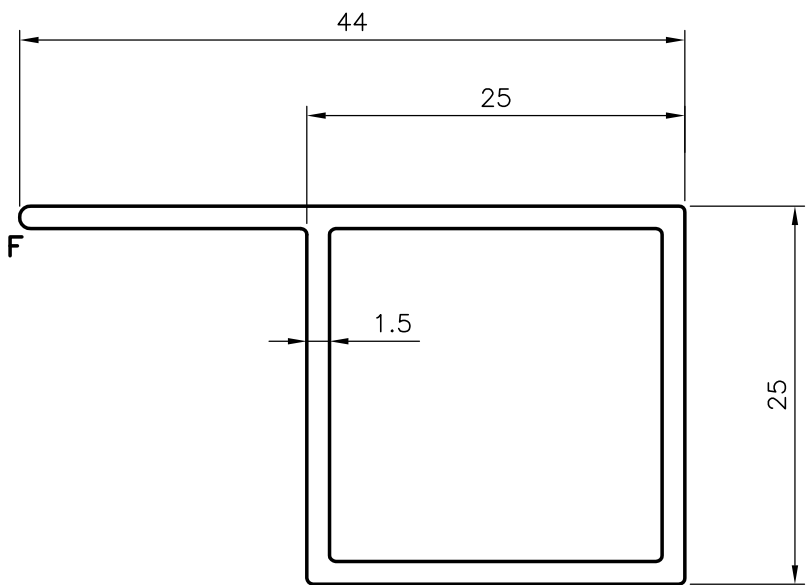
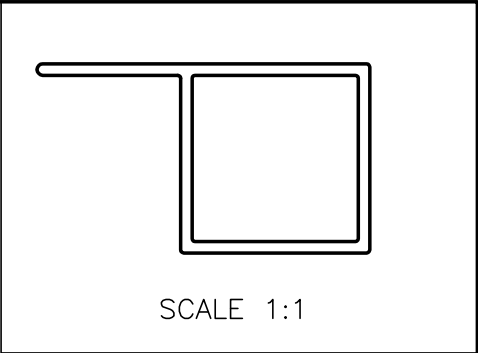



P-3525
S779
X228
7078
X228
26696



GENERAL WALL THICKNESS = 1.5mm
 F = FULL RADII (1 PLACE)

 SYMBOL OF QUALITY AN ISO 9002 COMPANY	JINDAL ALUMINIUM LTD. BANGALORE-560073 (INDIA)		NAME	DATE
		DRAWN	RAGHAVENDRA	12-09-01
1. ALL DIMENSIONS ARE IN mm. 2. ROUND OFF ALL SHARP CORNERS WITH 0.40 mm. 3. TOLERANCES WILL BE AS PER IS: 6477-1983 UNLESS OTHERWISE SPECIFIED		CHECKED		
		APPROVED		
PARTY'S NAME		ZECO AIRCON INDUSTRIES PVT. LTD. DELHI	SCALE	2:1 & 1:1
PARTY'S DRAWING No.		AS PER DRAWING	WEIGHT kg/m	0.457
ALLOY & TEMPER		HE9 WP	PERIMETER	136.67mm
DESCRIPTION		MISC TUBE	SECTION No.	26696
			DRAWING No.	26696