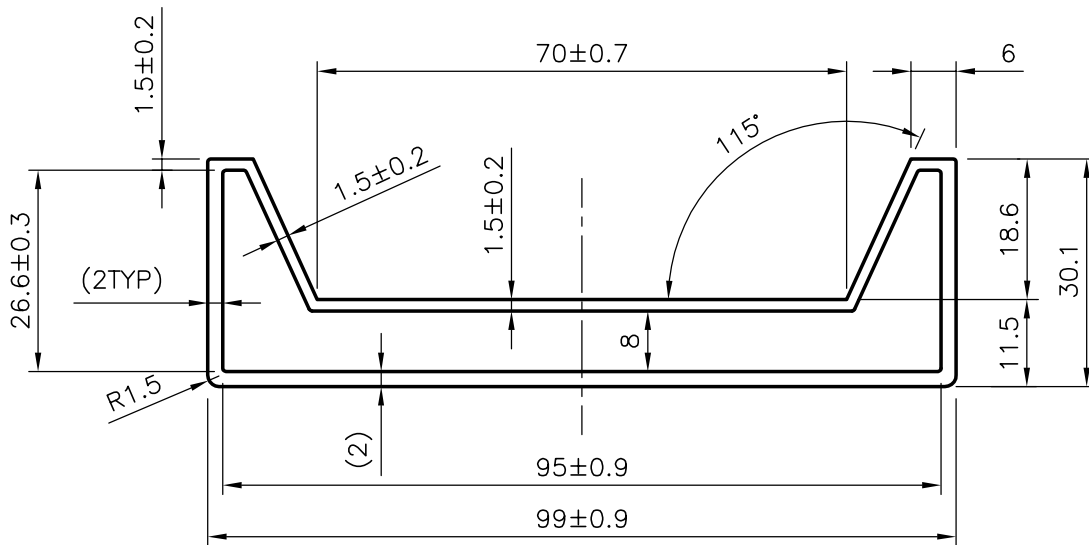



P-3529-1
S783
X232
7109
X232
26698



 SYMBOL OF QUALITY AN ISO 9002 COMPANY	JINDAL ALUMINIUM LTD. BANGALORE-560073 (INDIA)		NAME	DATE
		DRAWN	RAGHAVENDRA	20-09-01
1. ALL DIMENSIONS ARE IN mm. 2. ROUND OFF ALL SHARP CORNERS WITH 0.40 mm. 3. TOLERANCES WILL BE AS PER IS: 6477-1983 UNLESS OTHERWISE SPECIFIED		CHECKED		
		APPROVED		
PARTY'S NAME	ZECO AIRCON INDUSTRIES PVT. LTD. DELHI	SCALE	1:1	
PARTY'S DRAWING No.	AS PER DRAWING	WEIGHT kg/m	1.317	
ALLOY & TEMPER	HE9 WP	PERIMETER	280.47mm	
DESCRIPTION	MISC TUBE	SECTION No.	26698	
		DRAWING No.	26698	