

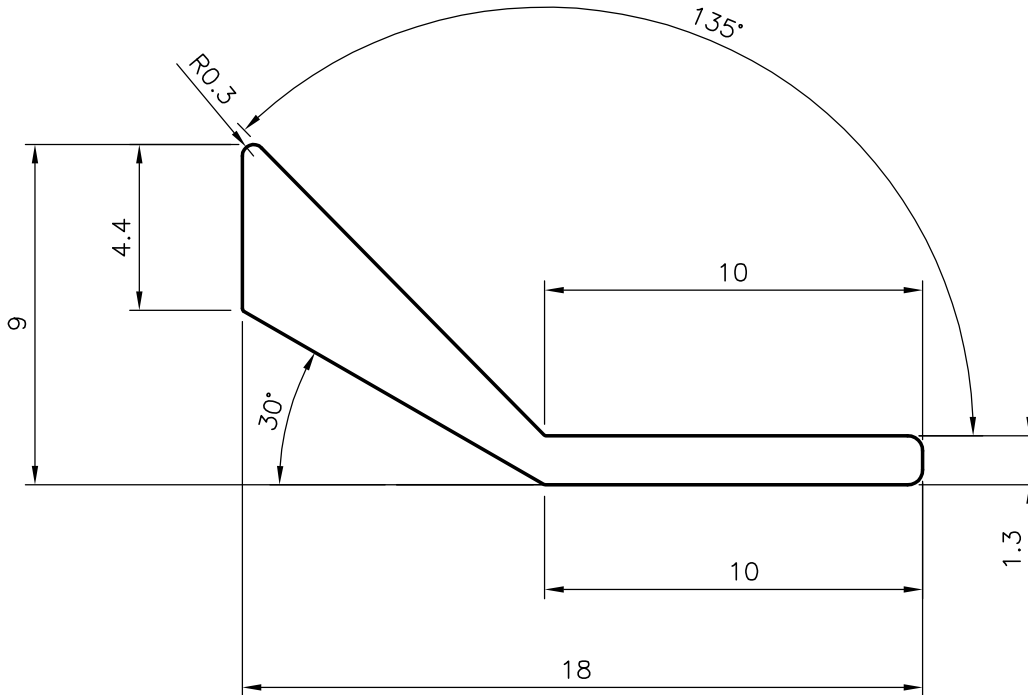
P-4570

S1103

26722



1:1



SYMBOL OF QUALITY
AN ISO 9001 COMPANY

JINDAL ALUMINIUM LTD.
BANGALORE-560073 (INDIA)

	NAME	DATE
DRAWN	D K Shaw	14-11-03
CHECKED		
APPROVED		

1. ALL DIMENSIONS ARE IN mm.
2. ROUND OFF ALL SHARP CORNERS WITH 0.40 mm.
3. TOLERANCES WILL BE AS PER IS: 3965-1981 UNLESS OTHERWISE SPECIFIED

SCALE	2:1
AREA mm ²	37.3
PERIMETER mm.	45.8
WEIGHT kg/m	0.101

PARTY'S NAME	BASKAR INDUSTRIES, CHENNAI
PARTY'S DRAWING No.	AS PER SAMPLE
ALLOY & TEMPER	HE9 WP
DESCRIPTION	AIR GRILLC SECTION

DRAWING No.	SECTION No.
P-4570	-
S1103	S1103
26722	26722