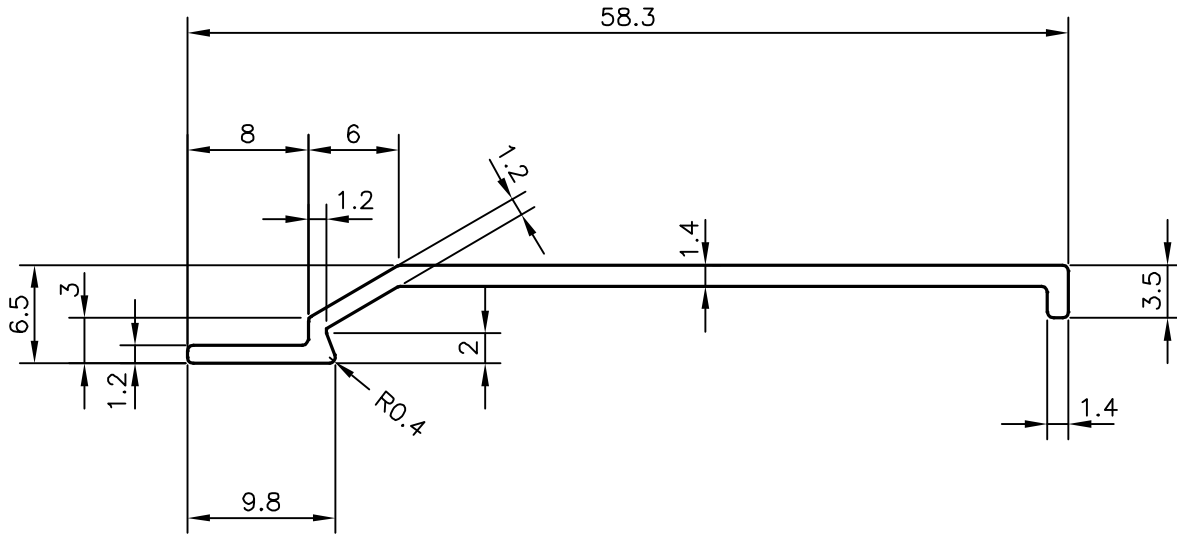
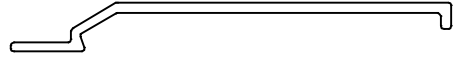


P-6783-1

26735



SYMBOL OF QUALITY
AN ISO 9001 COMPANY

JINDAL ALUMINIUM LTD.
BANGALORE-560073 (INDIA)

	NAME	DATE
DRAWN	J.P.KAUSHIK	04-11-2006
CHECKED		
APPROVED		

1. ALL DIMENSIONS ARE IN mm.
2. ROUND OFF ALL SHARP CORNERS WITH 0.40 mm.
3. TOLERANCES WILL BE AS PER EN12020-2:2001 UNLESS OTHERWISE SPECIFIED

SCALE	2:1
AREA mm ²	85.845
PERIMETER mm.	128.497
WEIGHT kg/m	0.232

PARTY'S NAME	K.B.E INTERNATIONAL S.A.L., LEBANON
PARTY'S DRAWING No.	(11565)-AP 112
ALLOY & TEMPER	6063 T6
DESCRIPTION	AIR GRILL SECTION

DRAWING No.	SECTION No.
P-6783-1	-
26735	26735