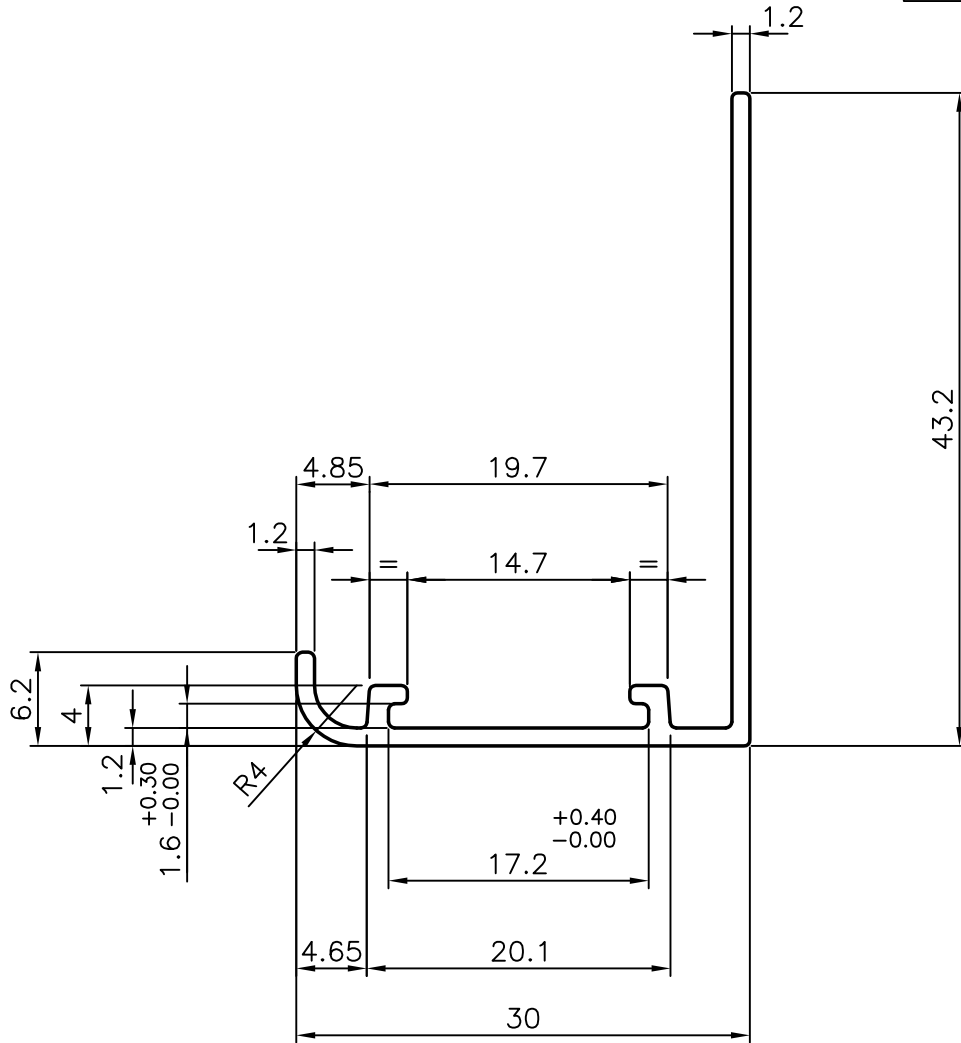
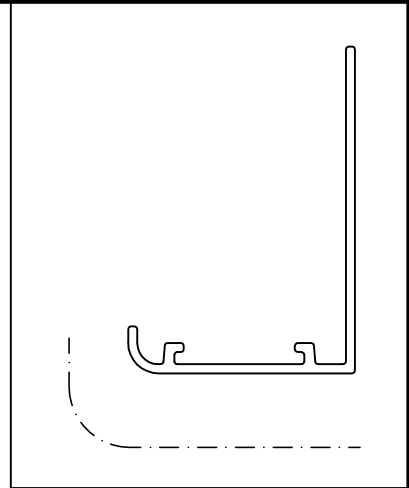


P-6793

26740



GENERAL WALL THICKNESS :- 1.20 mm



SYMBOL OF QUALITY  
AN ISO 9001 COMPANY

**JINDAL ALUMINIUM LTD.**  
BANGALORE-560073 (INDIA)

	NAME	DATE
DRAWN	J.P.KAUSHIK	02-11-2006
CHECKED		
APPROVED		

1. ALL DIMENSIONS ARE IN mm.
2. ROUND OFF ALL SHARP CORNERS WITH 0.40 mm.
3. TOLERANCES WILL BE AS PER EN12020-2:2001 UNLESS OTHERWISE SPECIFIED

SCALE	2:1
AREA mm <sup>2</sup>	101.072
PERIMETER mm.	166.312
WEIGHT kg/m	0.273

PARTY'S NAME	K.B.E INTERNATIONAL S.A.L., LEBANON	DRAWING No.	P-6793	SECTION No.	-
PARTY'S DRAWING No.	11558		26740		26740
ALLOY & TEMPER	6063 T6				
DESCRIPTION	AIR GRILL SECTION				