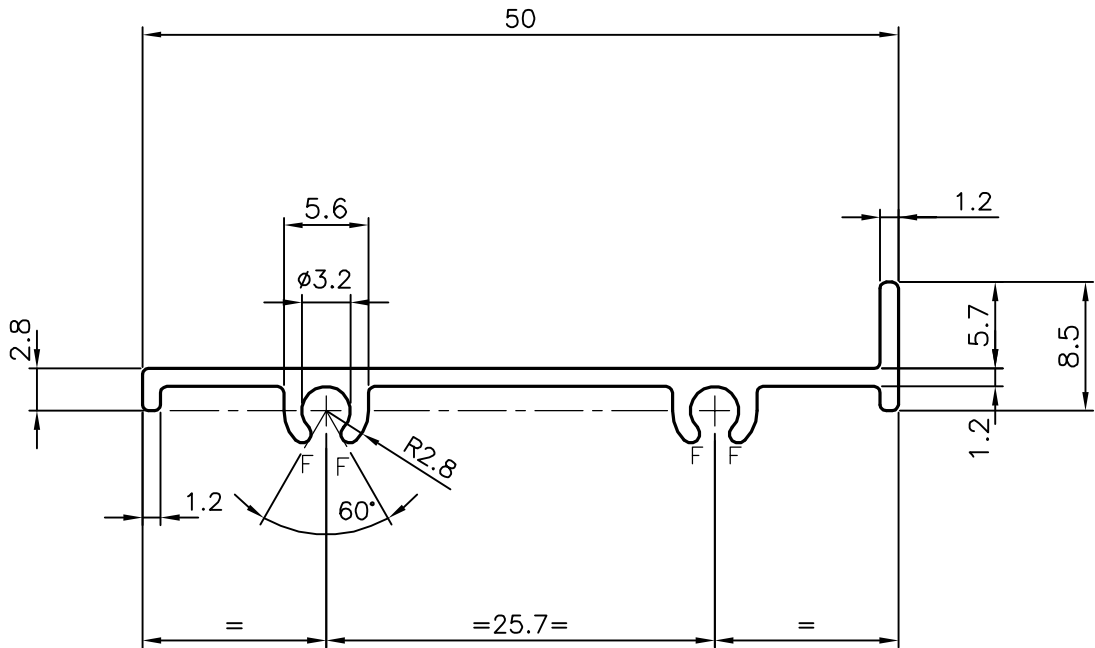
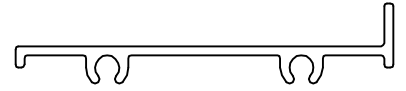


P-6795

26741



GENERAL WALL THICKNESS :- 1.20 mm  
 F = FULL RADIUS (4 PLACES)



SYMBOL OF QUALITY  
 AN ISO 9001 COMPANY

**JINDAL ALUMINIUM LTD.**  
 BANGALORE-560073 (INDIA)

	NAME	DATE
DRAWN	J.P.KAUSHIK	02-11-2006
CHECKED		
APPROVED		

1. ALL DIMENSIONS ARE IN mm.
2. ROUND OFF ALL SHARP CORNERS WITH 0.40 mm.
3. TOLERANCES WILL BE AS PER EN12020-2:2001 UNLESS OTHERWISE SPECIFIED

SCALE	2:1
AREA mm <sup>2</sup>	90.961
PERIMETER mm.	144.158
WEIGHT kg/m	0.246

PARTY'S NAME	K.B.E INTERNATIONAL S.A.L., LEBANON
PARTY'S DRAWING No.	(11560)-AP 113
ALLOY & TEMPER	6063 T6
DESCRIPTION	AIR GRILL SECTION

DRAWING No.	SECTION No.
P-6795	-
26741	26741