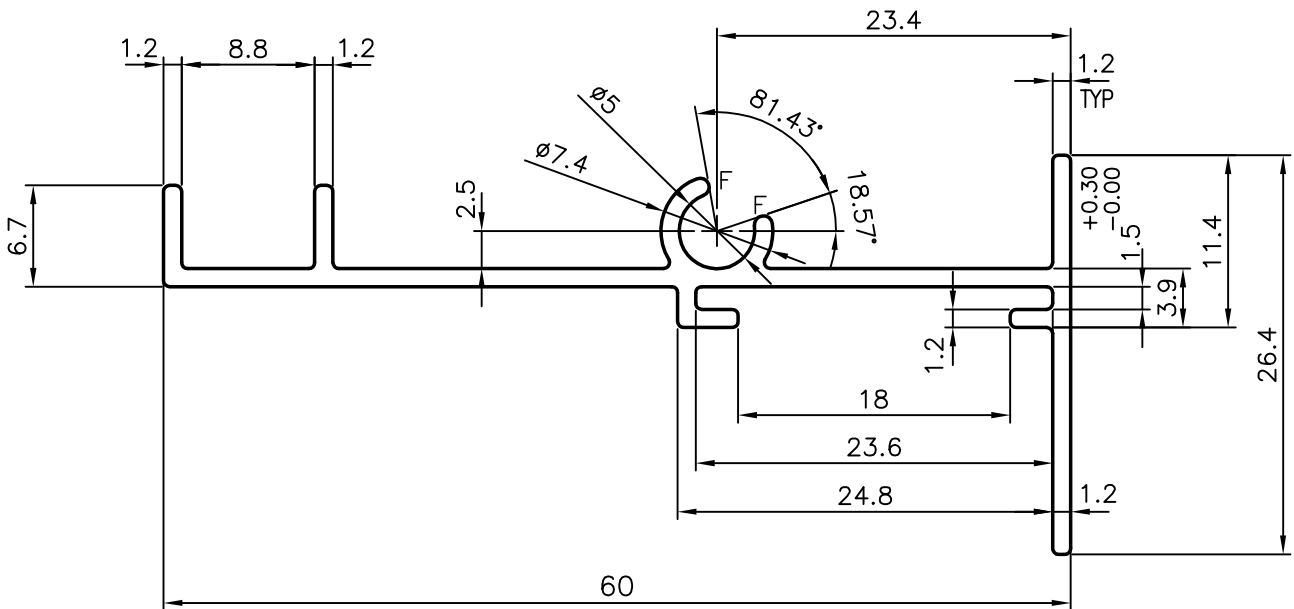
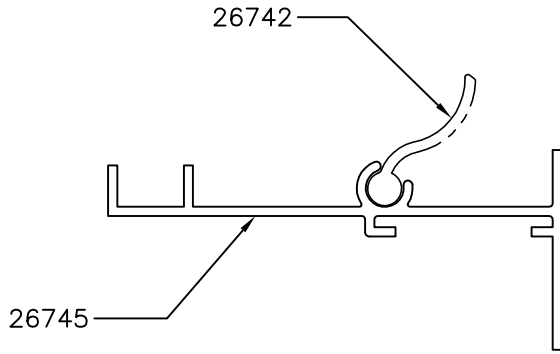
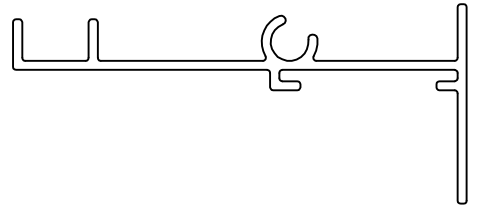


P-6800

26745



F = FULL RADIUS



SYMBOL OF QUALITY
AN ISO 9001 COMPANY

JINDAL ALUMINIUM LTD.
BANGALORE-560073 (INDIA)

	NAME	DATE
DRAWN	J.P.KAUSHIK	02-11-2006
CHECKED		
APPROVED		
SCALE		2:1
AREA mm ²		138.7
PERIMETER mm.		225.739
WEIGHT kg/m		0.374
DRAWING No.		SECTION No.
P-6800		-
26745		26745

1. ALL DIMENSIONS ARE IN mm.
2. ROUND OFF ALL SHARP CORNERS WITH 0.40 mm.
3. TOLERANCES WILL BE AS PER EN12020-2:2001 UNLESS OTHERWISE SPECIFIED

PARTY'S NAME	K.B.E INTERNATIONAL S.A.L., LEBANON
PARTY'S DRAWING No.	11573
ALLOY & TEMPER	6063 T6
DESCRIPTION	AIR GRILL SECTION