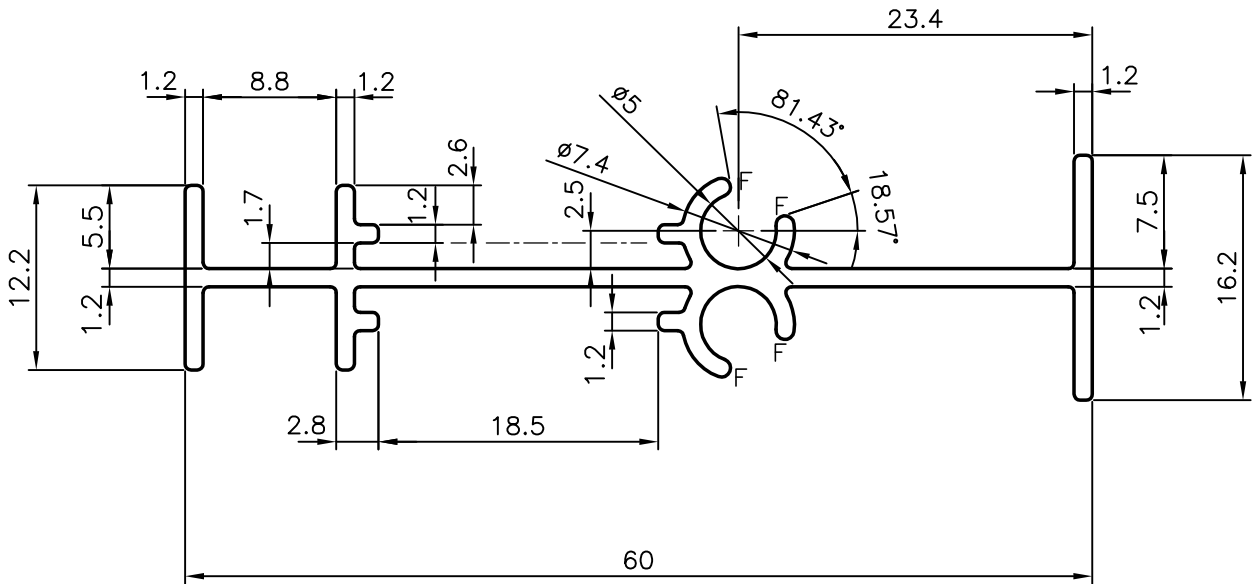
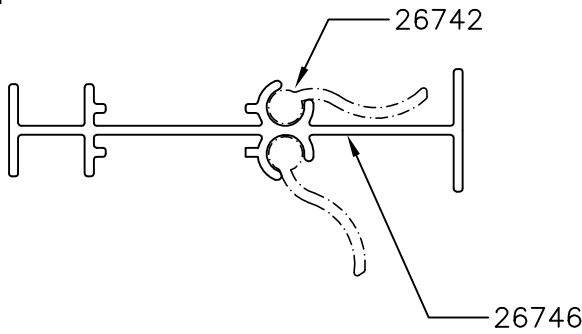
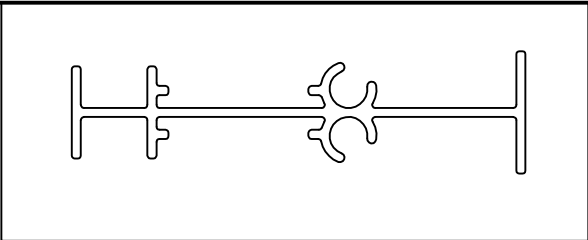


P-6801

26746



F = FULL RADIUS



SYMBOL OF QUALITY  
AN ISO 9001 COMPANY

**JINDAL ALUMINIUM LTD.**  
BANGALORE-560073 (INDIA)

	NAME	DATE
DRAWN	J.P.KAUSHIK	02-11-2006
CHECKED		
APPROVED		
SCALE		2:1
AREA mm <sup>2</sup>		150.811
PERIMETER mm.		240.406
WEIGHT kg/m		0.407
DRAWING No.	SECTION No.	
P-6801	-	
26746	26746	

1. ALL DIMENSIONS ARE IN mm.
2. ROUND OFF ALL SHARP CORNERS WITH 0.40 mm.
3. TOLERANCES WILL BE AS PER EN12020-2:2001 UNLESS OTHERWISE SPECIFIED

PARTY'S NAME	K.B.E INTERNATIONAL S.A.L., LEBANON
PARTY'S DRAWING No.	11574
ALLOY & TEMPER	6063 T6
DESCRIPTION	AIR GRILL SECTION