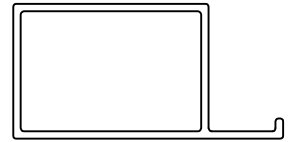
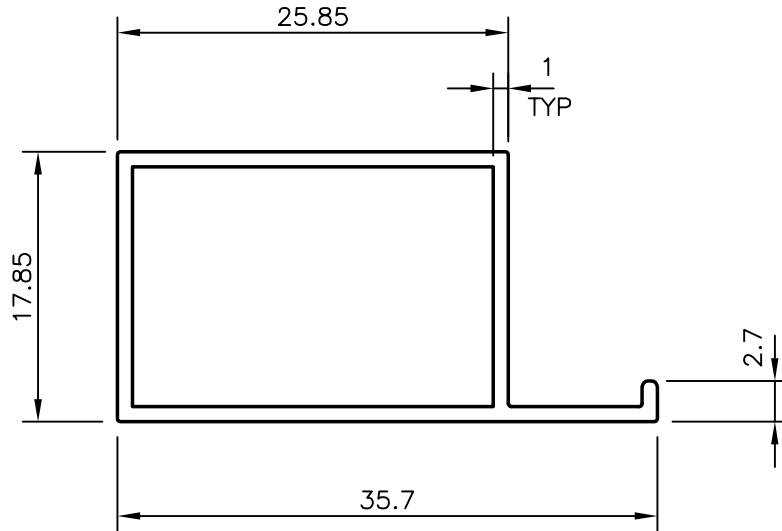


P-6718-1

26752



1:1



UNSPECIFIED WALL THICKNESS 1.0 mm



SYMBOL OF QUALITY
AN ISO 9002 COMPANY

JINDAL ALUMINIUM LTD.
BANGALORE-560073 (INDIA)

	NAME	DATE
DRAWN	J.P.KAUSHIK	07-10-2006
CHECKED		
APPROVED		
SCALE		2:1
AREA mm ²		94.864
PERIMETER mm.		109.642
WEIGHT kg/m		0.256
DRAWING No.	SECTION No.	
P-6718-1	-	
26752	26752	

1. ALL DIMENSIONS ARE IN mm.
2. ROUND OFF ALL SHARP CORNERS WITH 0.40 mm.
3. TOLERANCES WILL BE AS PER BS:1474-1987 UNLESS OTHERWISE SPECIFIED

PARTY'S NAME	BETA INDUSTRIAL L.L.C.
PARTY'S DRAWING No.	AS PER DRAWING
ALLOY & TEMPER	6063 T6
DESCRIPTION	MISC. SECTION